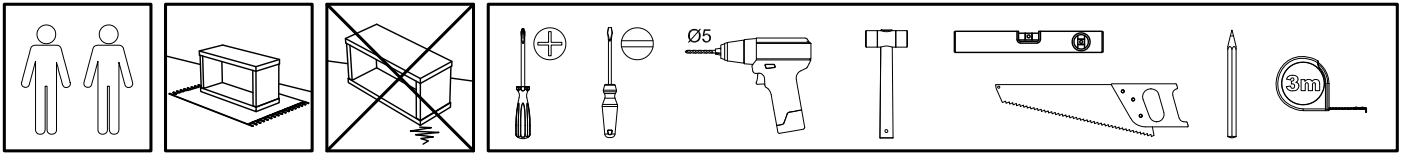


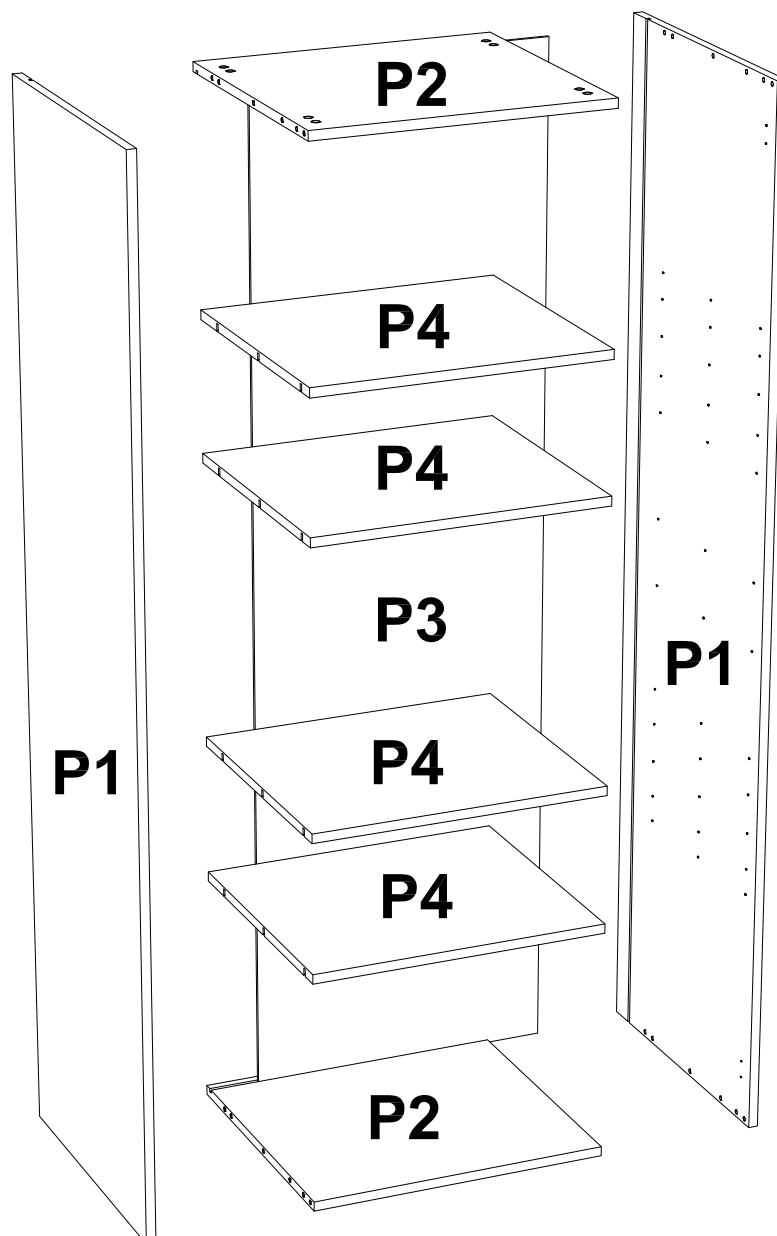
# Excel-Cab

## LARDER & OVEN HOUSING CABINETS



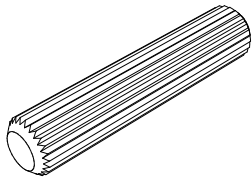
### ASSEMBLY INSTRUCTIONS

Please read these instructions fully before starting assembly

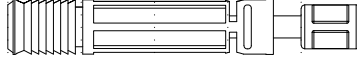
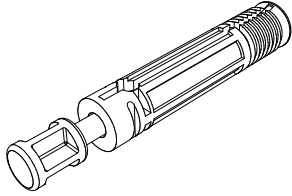


0 1 2 3 4 5 [cm]

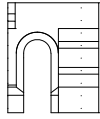
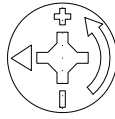
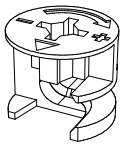
**A** x16



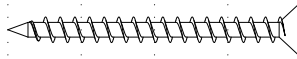
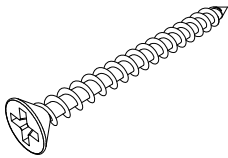
**B** x8



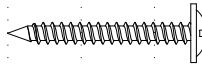
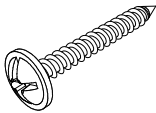
**C** x8



**O** x16

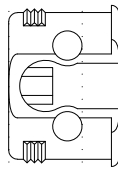
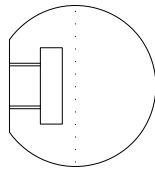
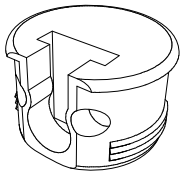


**P** x8

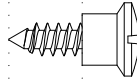
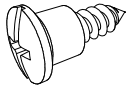


0 1 2 3 4 5 [cm]

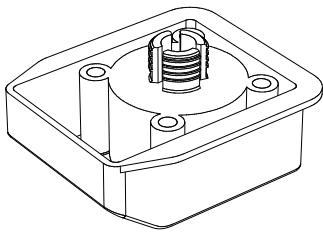
Q x24



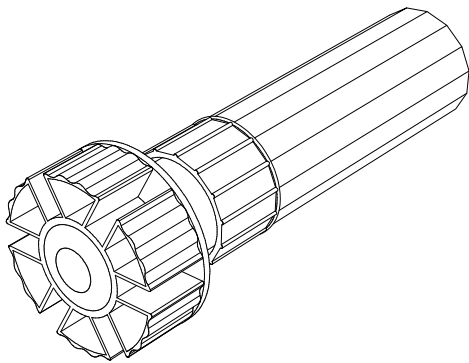
R x24



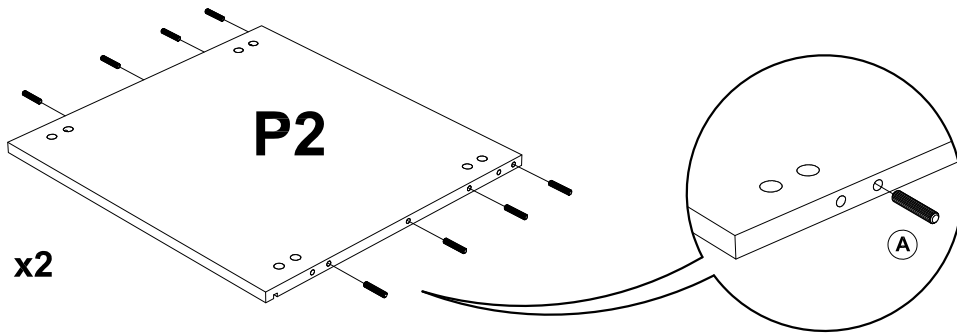
Y x4



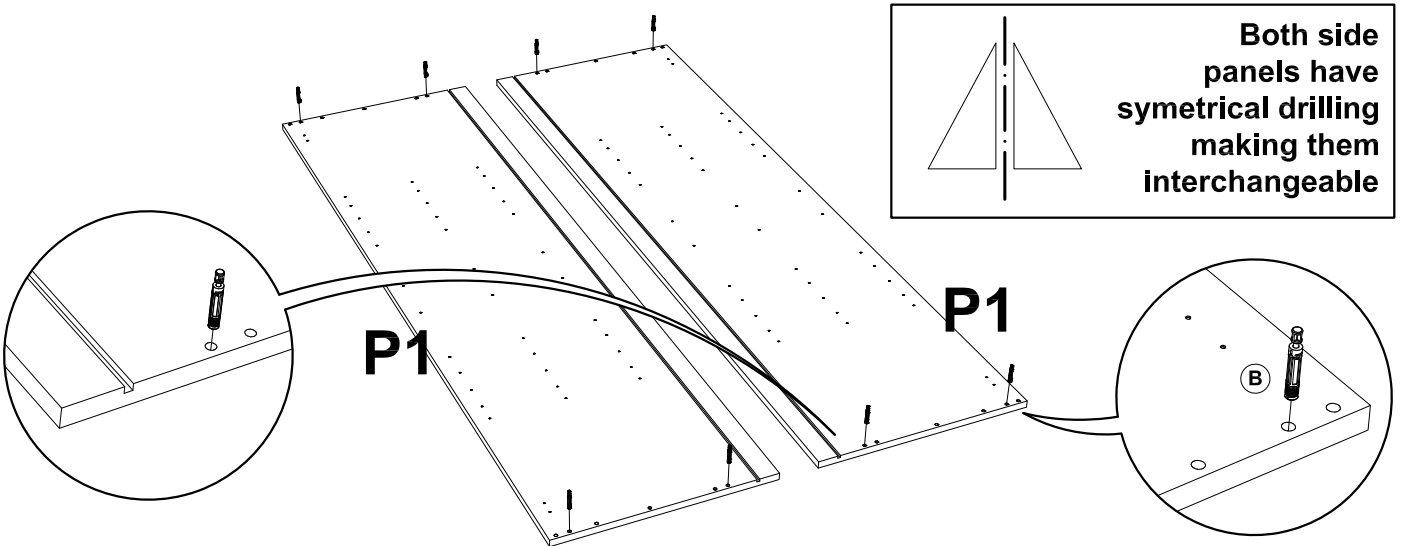
Z x4



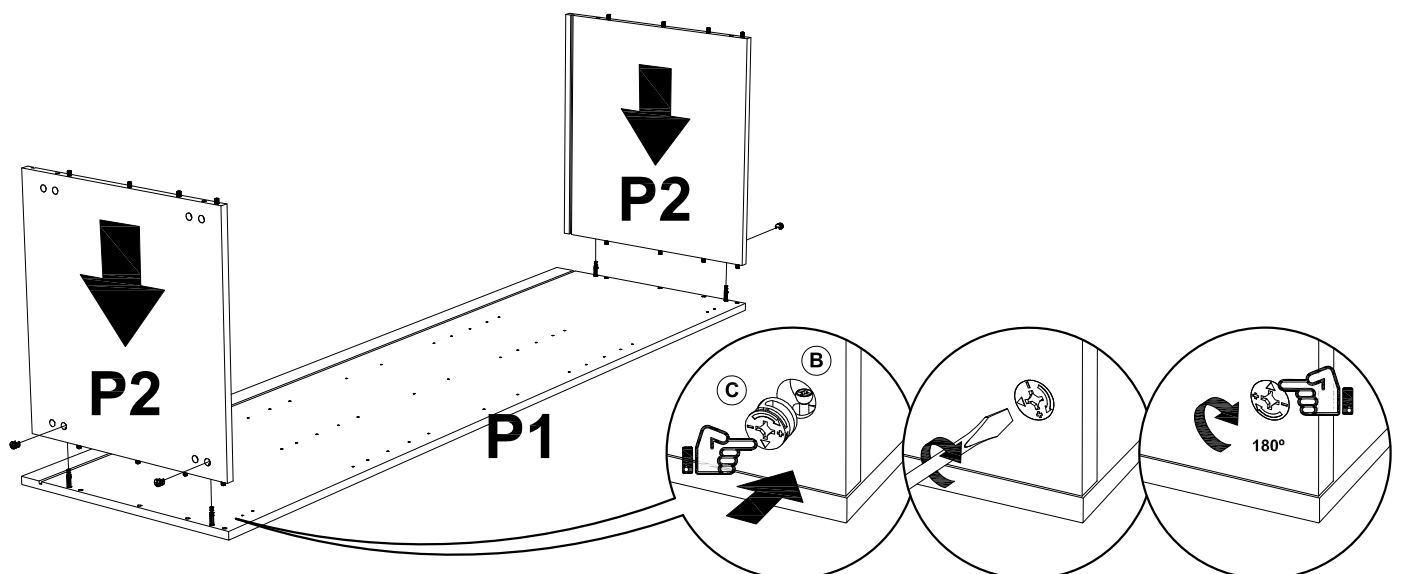
1



2



3



# info 1

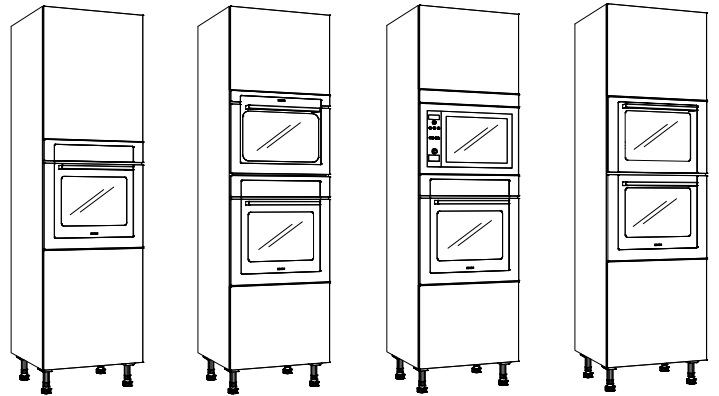
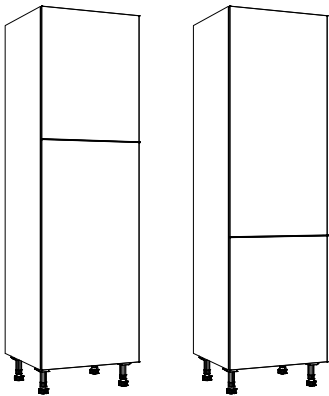
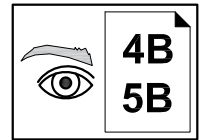
## A

LARDER USE >>>

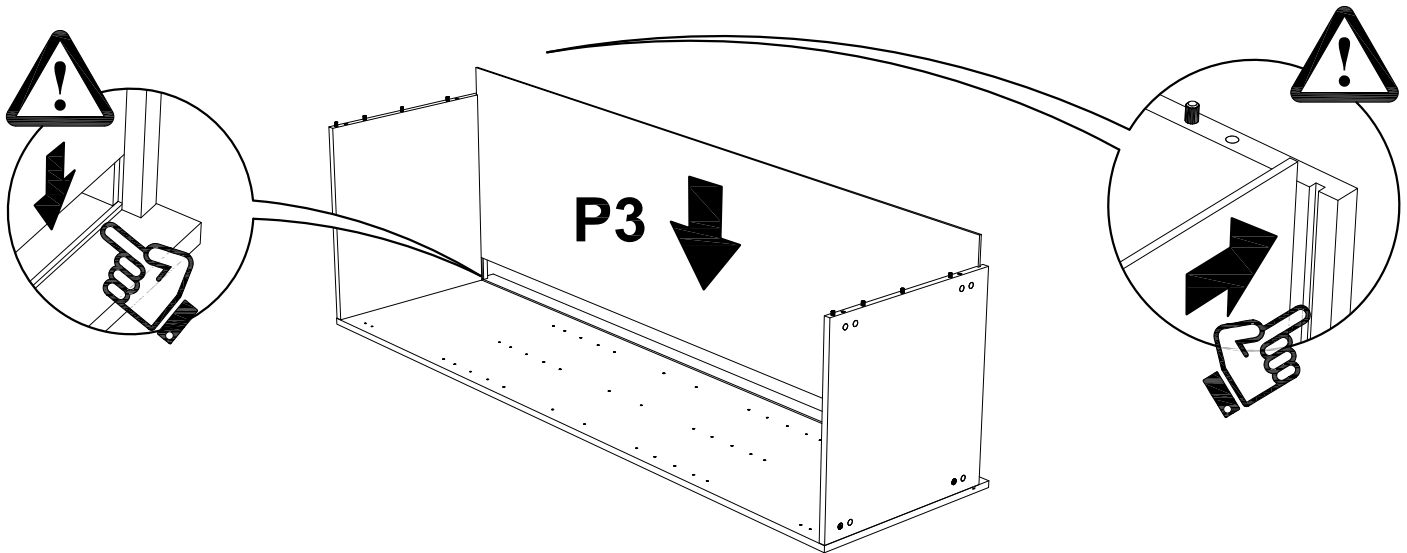


## B

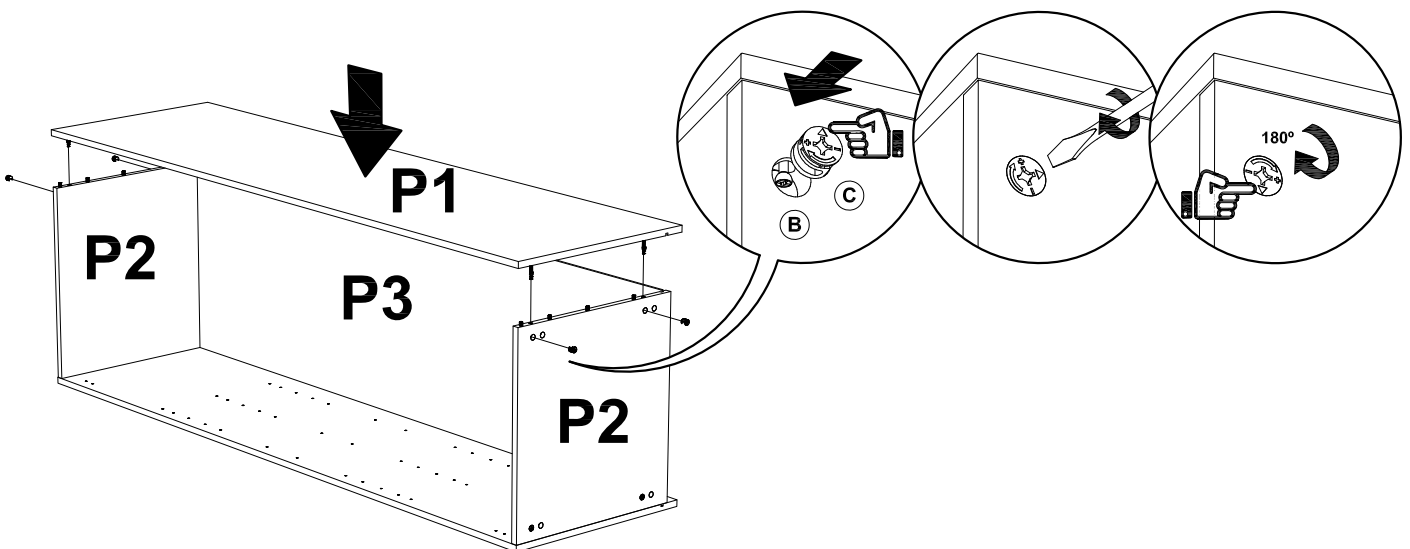
OVEN HOUSING USE >>>



## 4A



## 5A



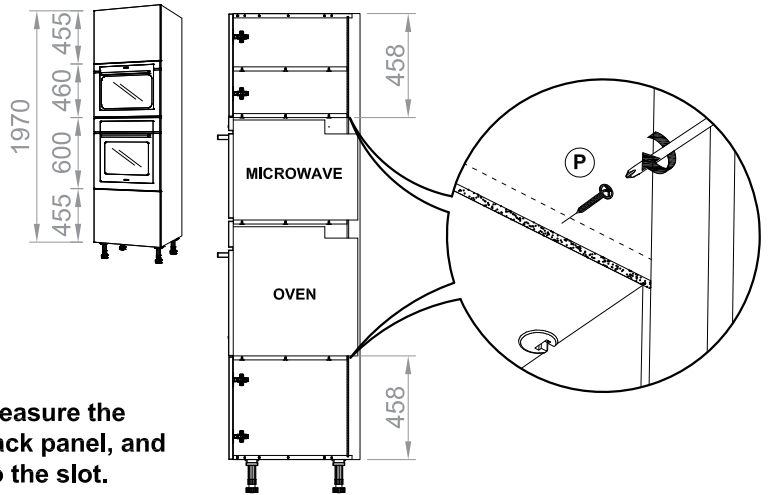
# 4B

You might need to split the back panel for the correct installation of some electrical appliances. Follow the manufacturer's instructions.

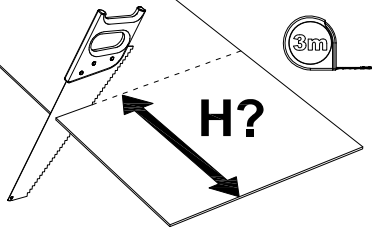
## EXAMPLE:

$$H_1 \text{ (top)} = 458 - 12 = 446$$

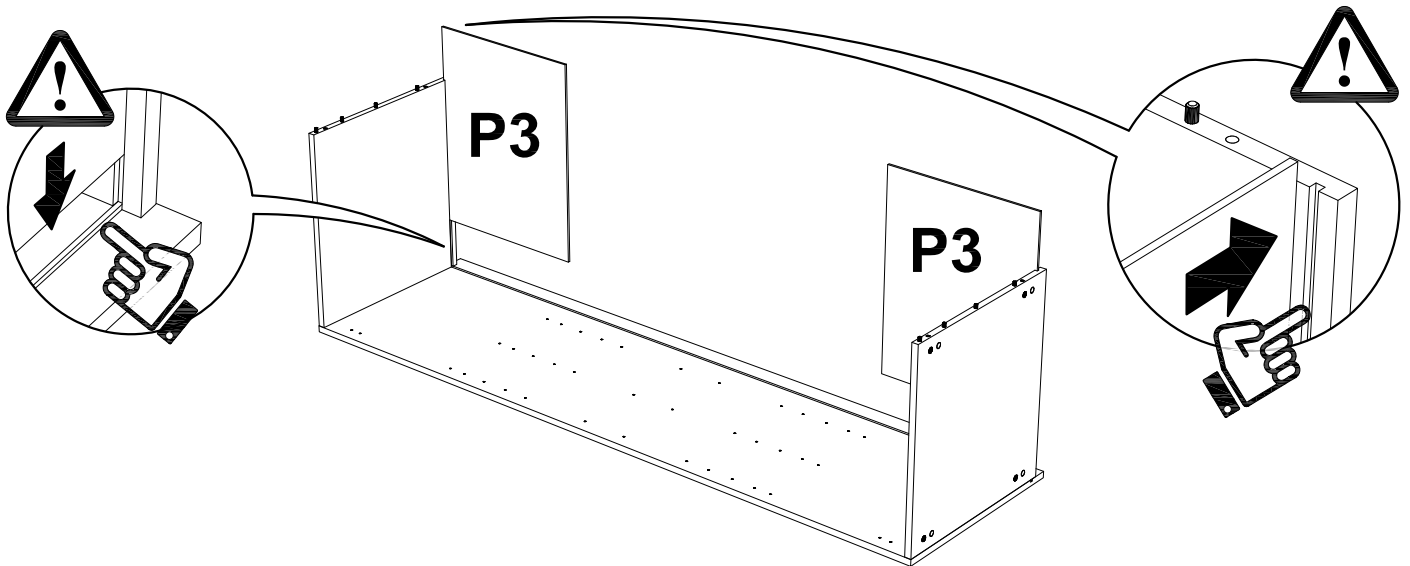
$$H_2 \text{ (bottom)} = 458 - 12 = 446$$



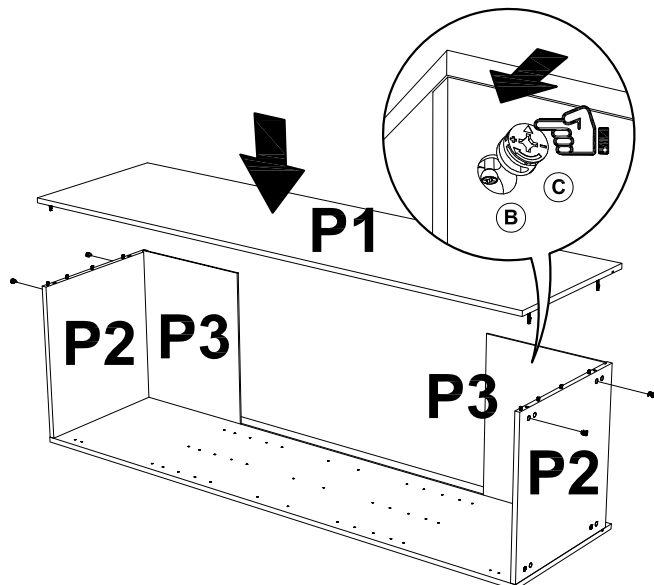
**TIP:**  
Measure twice,  
Cut once!



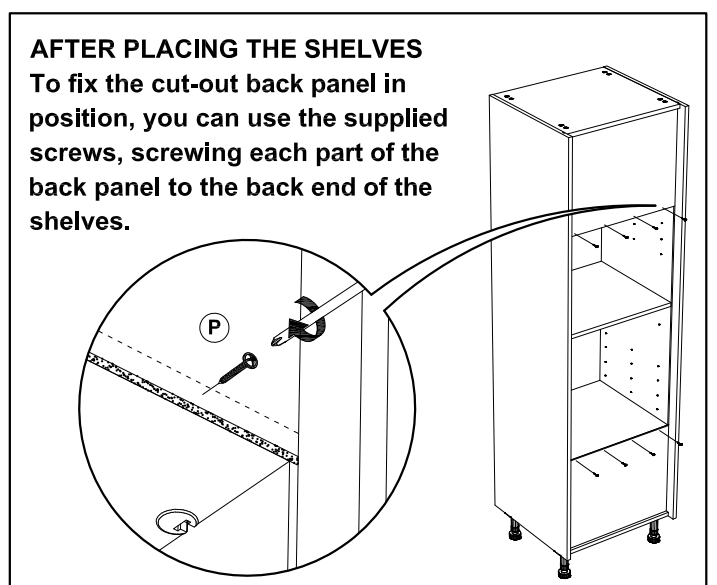
Once the shelves are fixed, measure the space to be covered by the back panel, and deduct about 12 mm to fit into the slot.



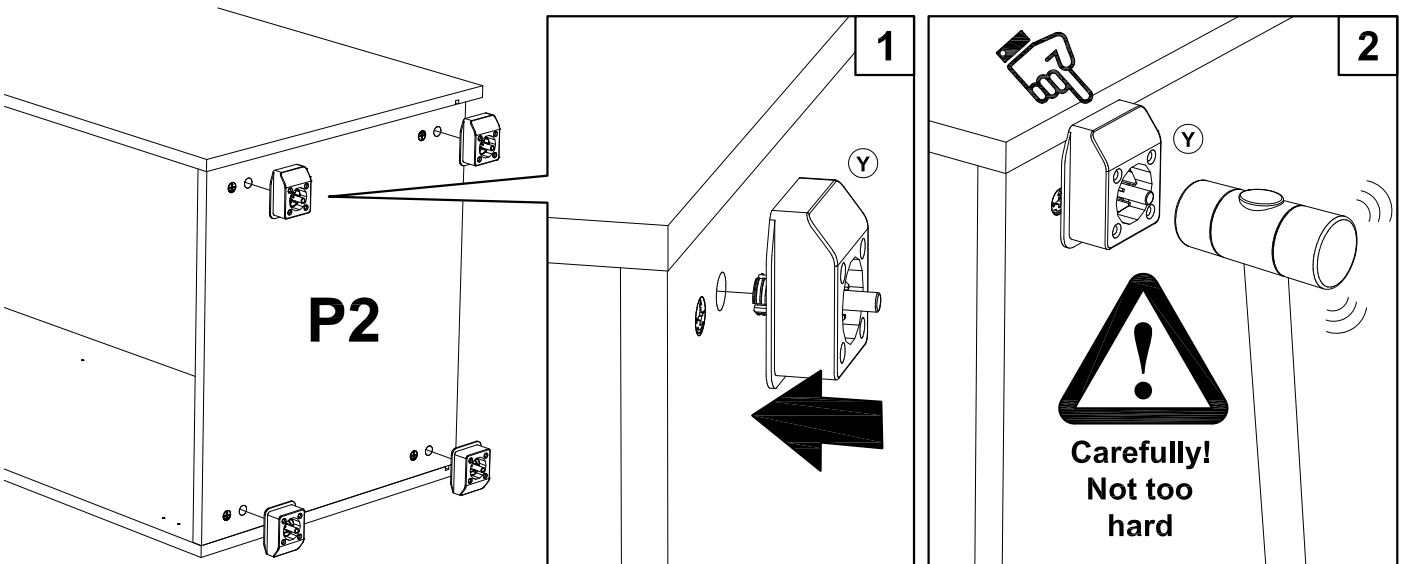
# 5B



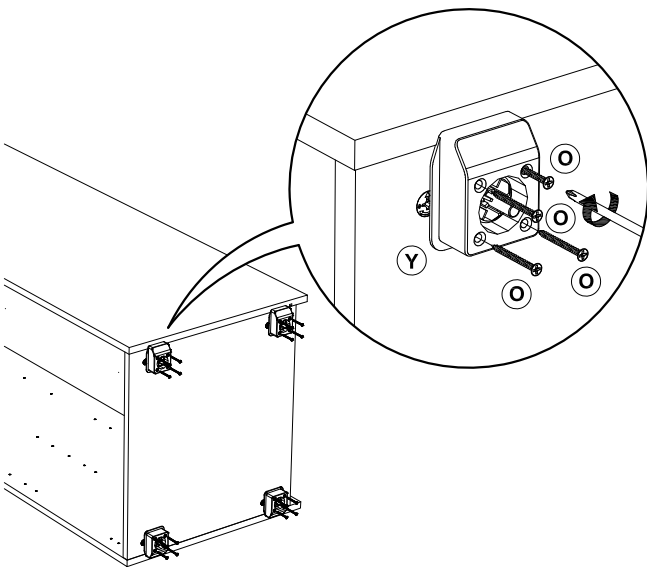
**AFTER PLACING THE SHELVES**  
To fix the cut-out back panel in position, you can use the supplied screws, screwing each part of the back panel to the back end of the shelves.



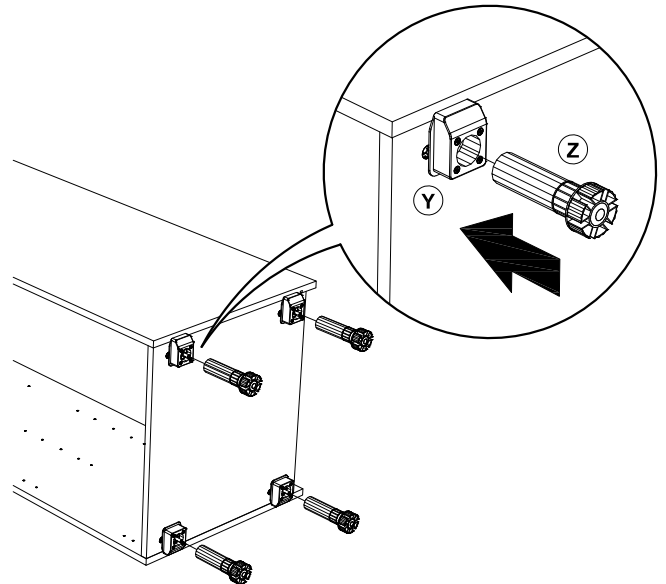
6



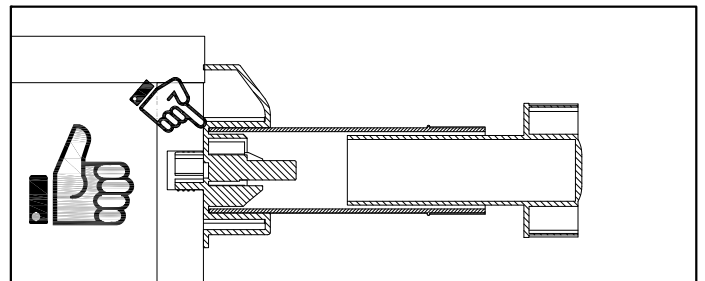
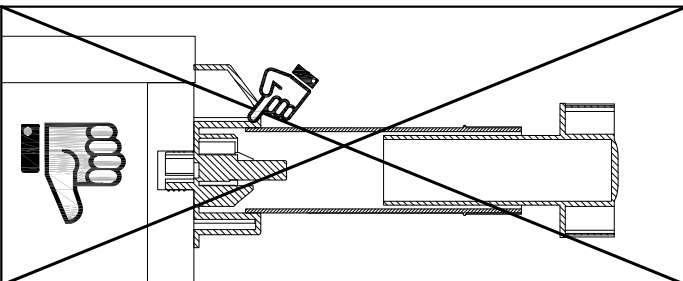
7



8

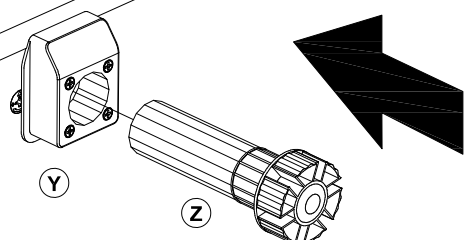


## info 2



### BEFORE LIFTING THE CABINET

It is very important to make sure  
that the leg (Z) is well assembled  
with the base (Y)



# 9

**Only fit the legs provided to the larder units**

**Teamwork is better and safer**

**Using a rug or cardboard helps protect the floor and the cabinet.**

Lifting the cabinet puts a lot of pressure on the legs, so it is very important to do it carefully.

# 10

**OK**

# info 3

**1**

**2**

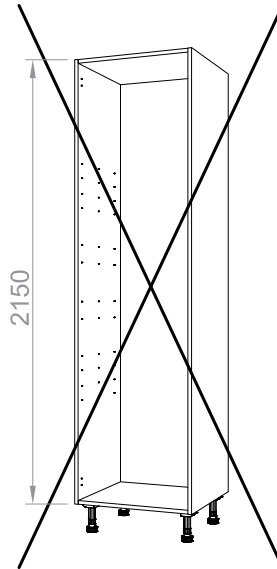
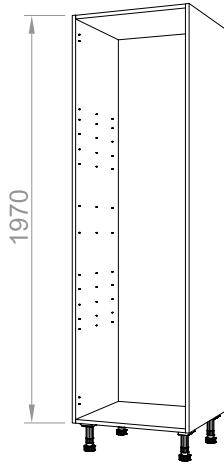
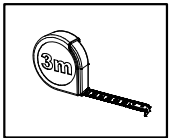
**3**

**For safety reasons, it is necessary to fix the cabinet to prevent it from tipping over. Use screws and plugs according to the type of wall (not included)**



# info 4A (height 1970)

## SHELF POSITIONS FOR OVEN HOUSING OPTIONS

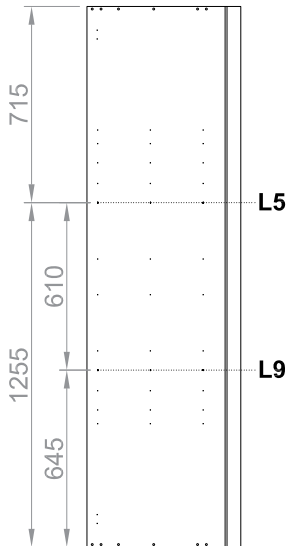
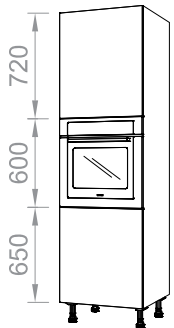


### PLEASE BEAR IN MIND:

Shelving pre-drillings fit most common combinations of doors, ovens and microwaves. We recommend you check the exact dimensions of your appliances to make sure they fit where intended.

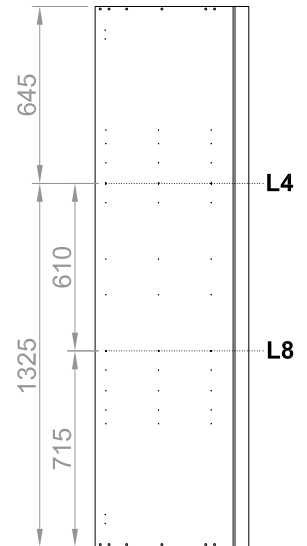
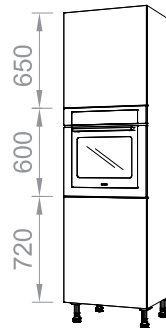
The dimensions below show where to place your shelves for the most typical combinations of doors, ovens and microwaves.

### OVEN "A"

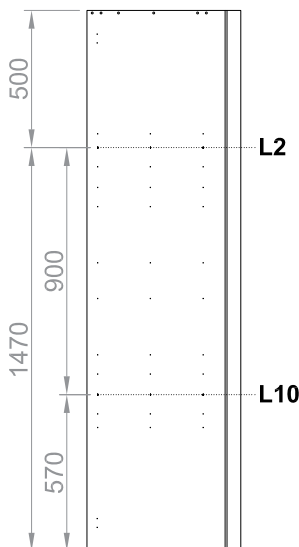
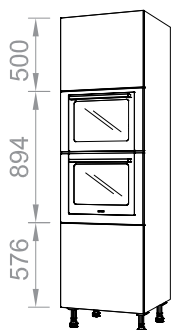


line number starting from the top

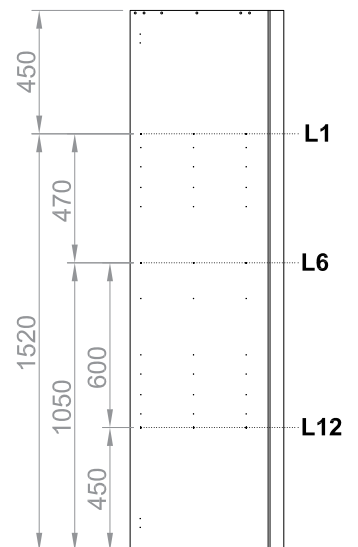
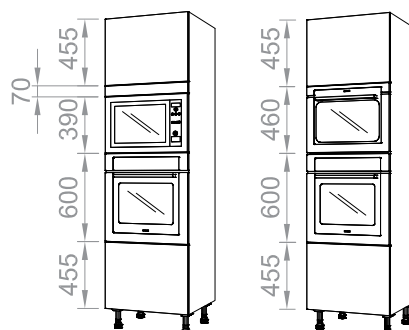
### OVEN "B"



### DOUBLE OVEN

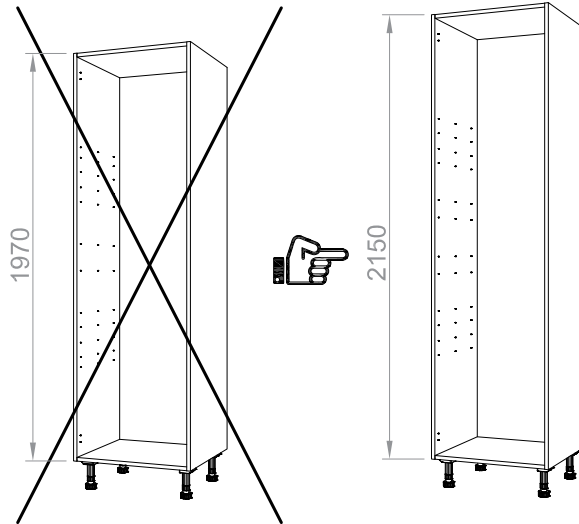
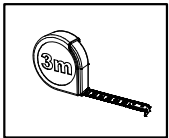


### MICROWAVE + OVEN



# info 4B (height 2150)

## SHELF POSITIONS FOR OVEN HOUSING OPTIONS

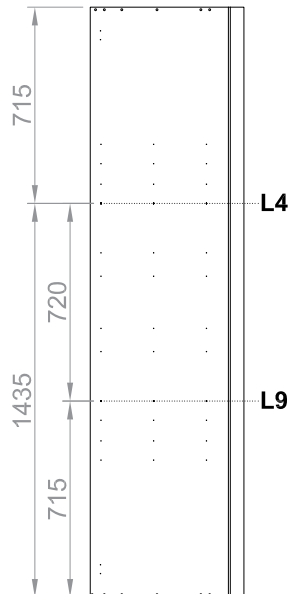
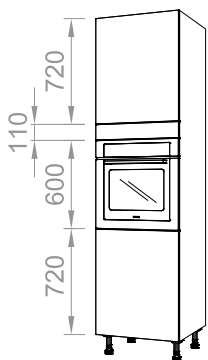


**PLEASE BEAR IN MIND:**

Shelving pre-drillings fit most common combinations of doors, ovens and microwaves. We recommend you check the exact dimensions of your appliances to make sure they fit where intended.

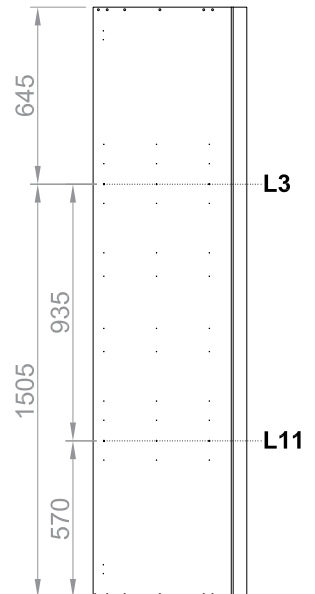
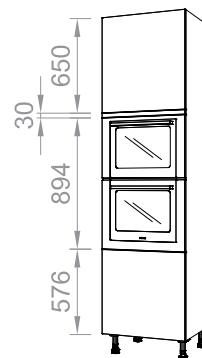
The dimensions below show where to place your shelves for the most typical combinations of doors, ovens and microwaves.

### OVEN

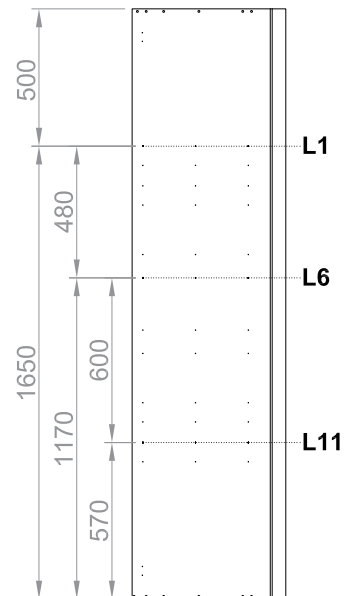
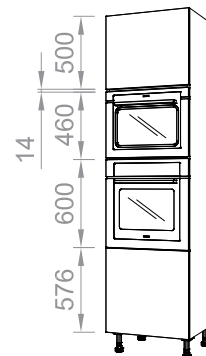
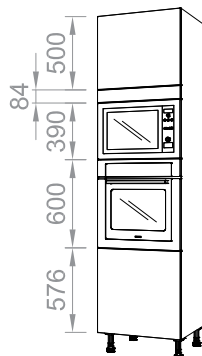


line number starting from the top

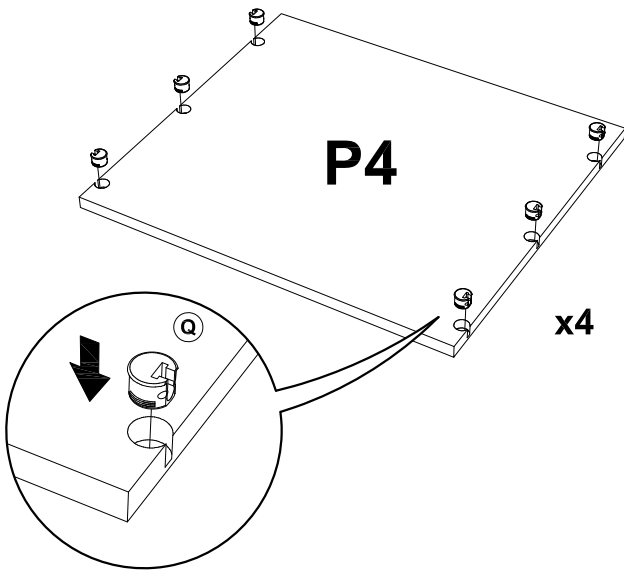
### DOUBLE OVEN



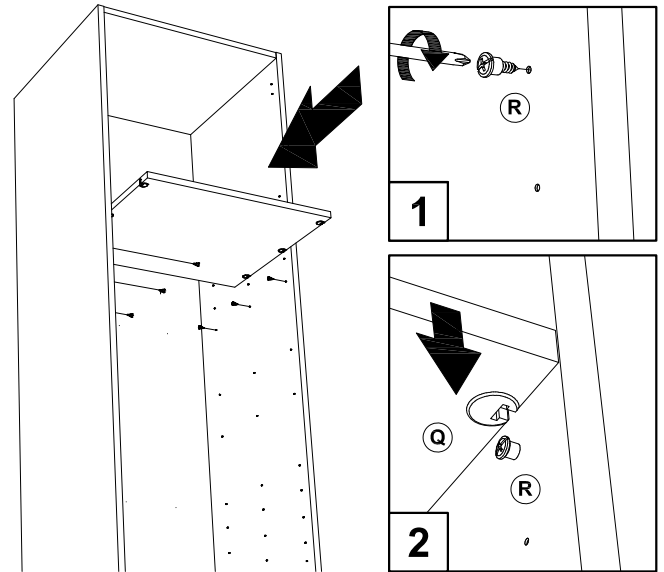
### MICROWAVE + OVEN



11



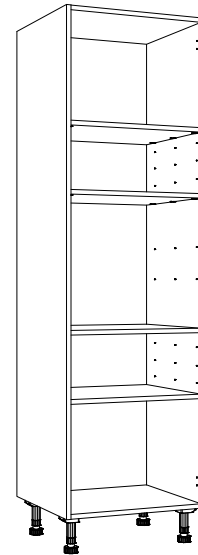
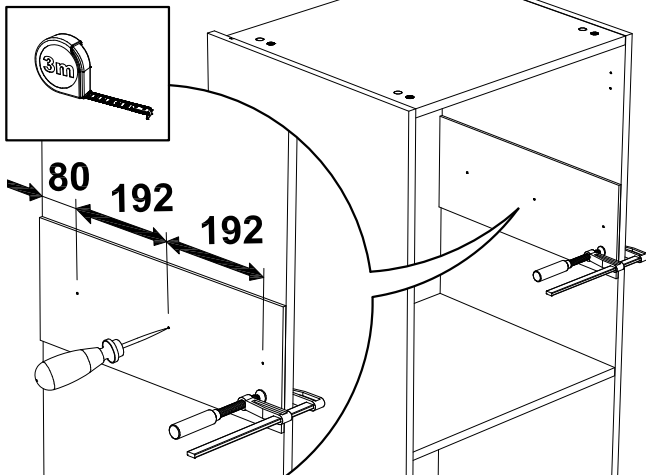
12



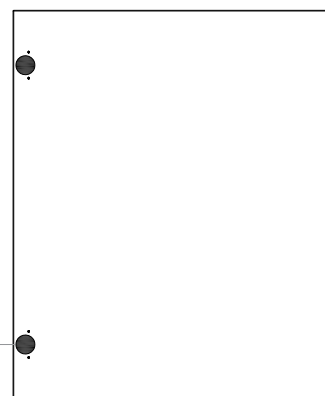
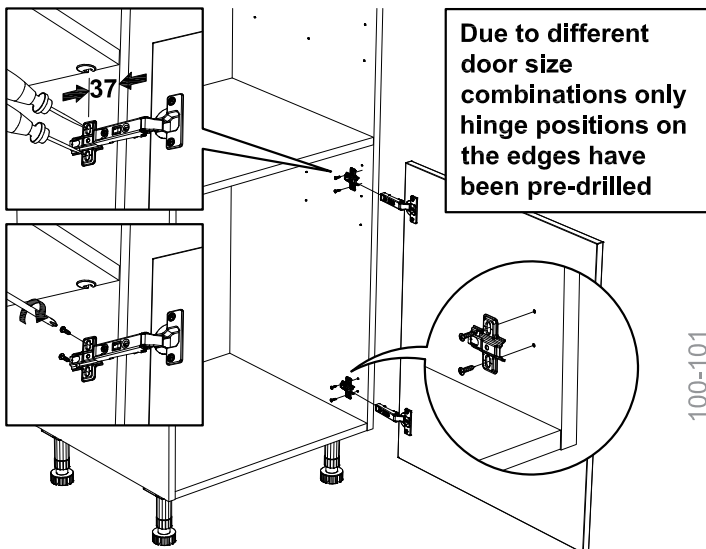
13

**FOR OTHER SHELF POSITIONS**

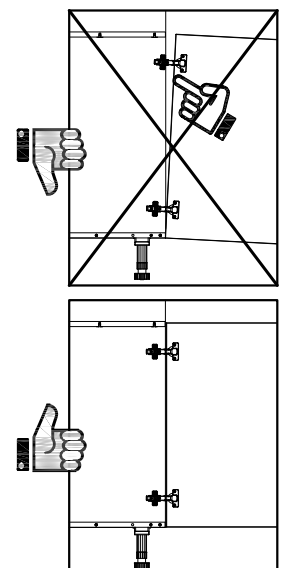
It is recommended to make a template to mark additional shelf positions.



**info 5**



The marks on the side panel are suitable for concealed hinge holes that are 100 mm from the edge



For any aftersales enquiries, please contact the seller with the batch number located on the outer packaging label

<b>X</b>	<b>00</b>	<b>000</b>	<b>0000</b>
A/B/C	00-99	1-366	24h
Batch No.			