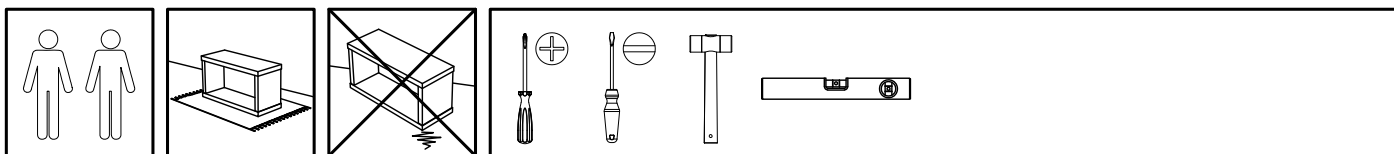


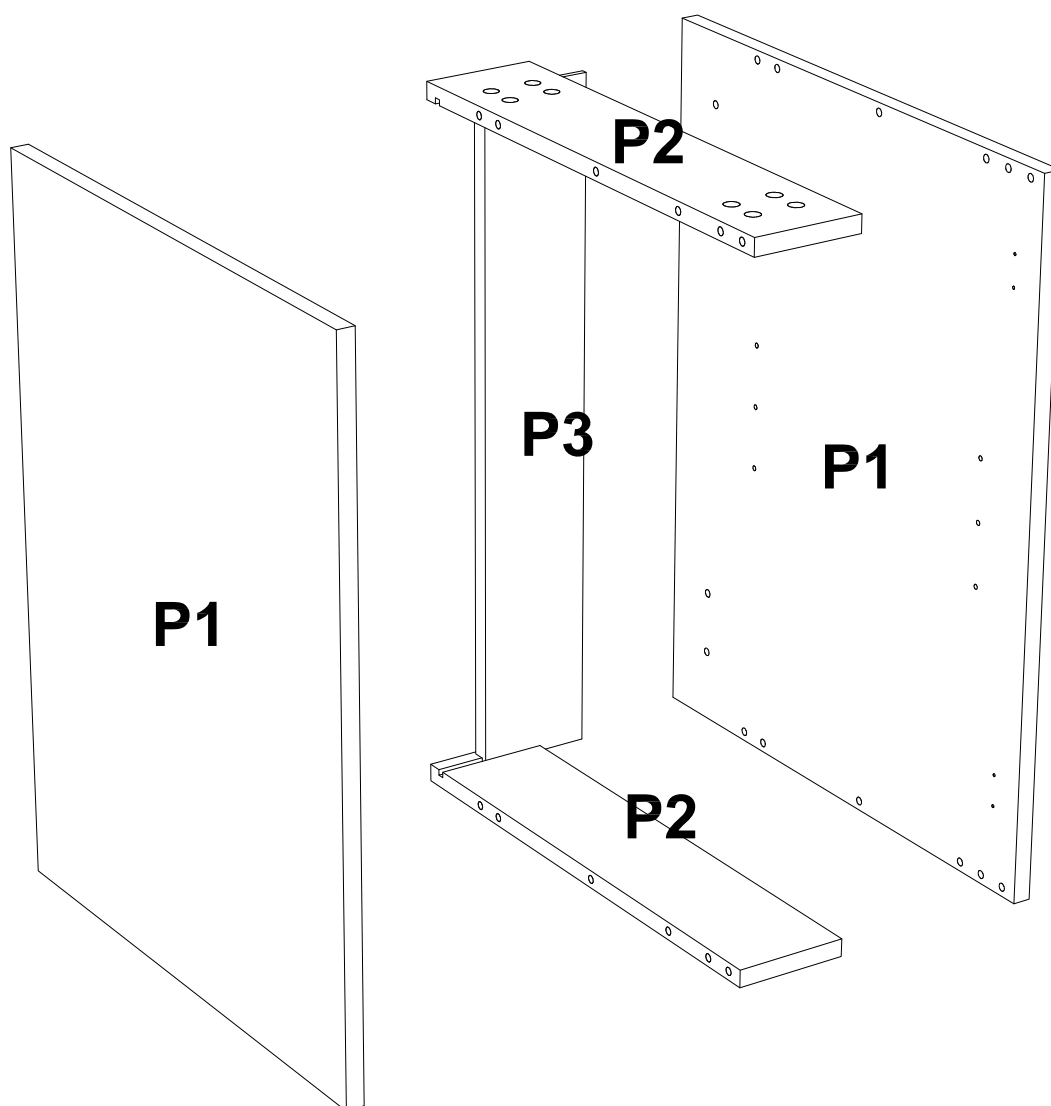
Excel-Cab

BASE CABINET 150 mm



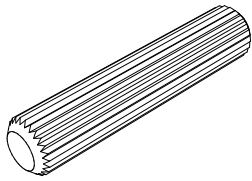
ASSEMBLY INSTRUCTIONS

Please read these instructions fully before starting assembly

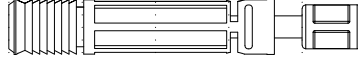
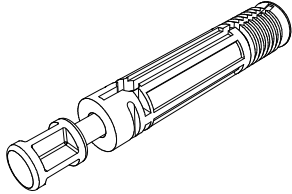


0 1 2 3 4 5 [cm]

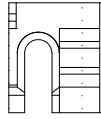
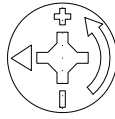
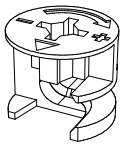
A x12



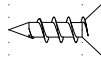
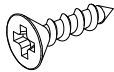
B x8



C x8



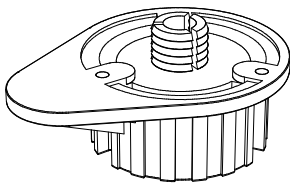
F x6



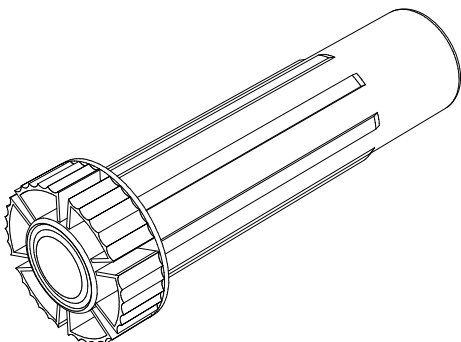
M x12



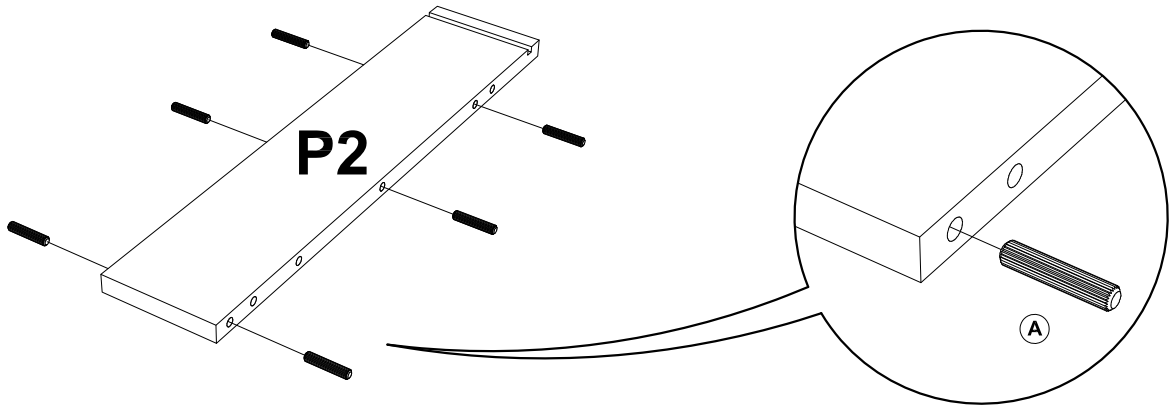
V x2



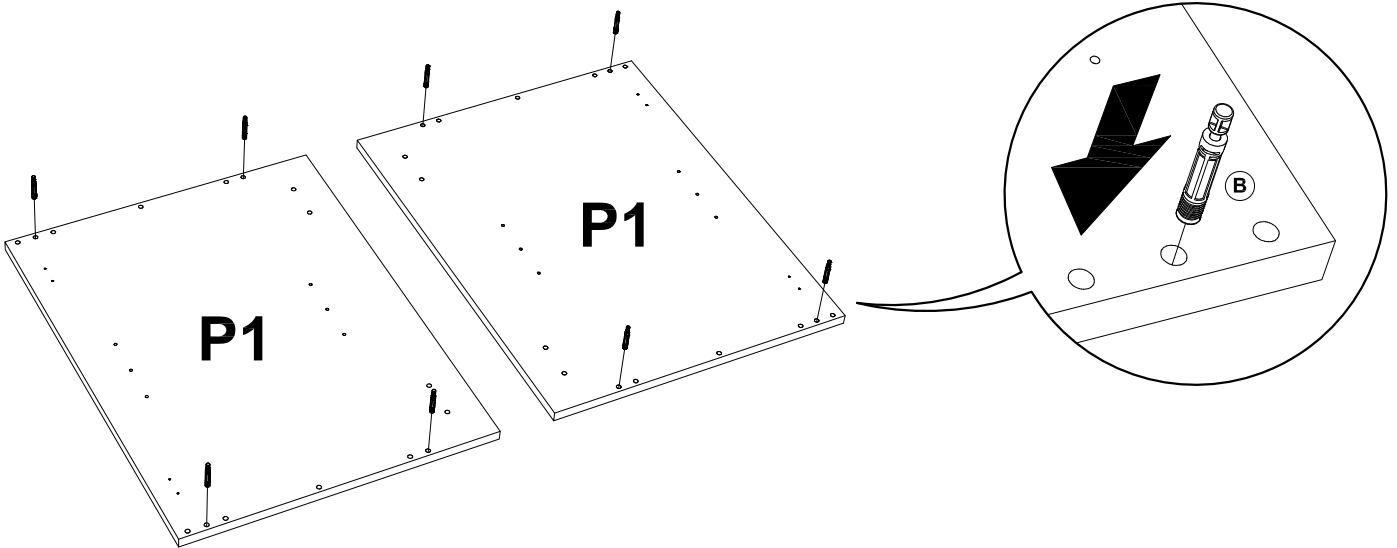
W x2



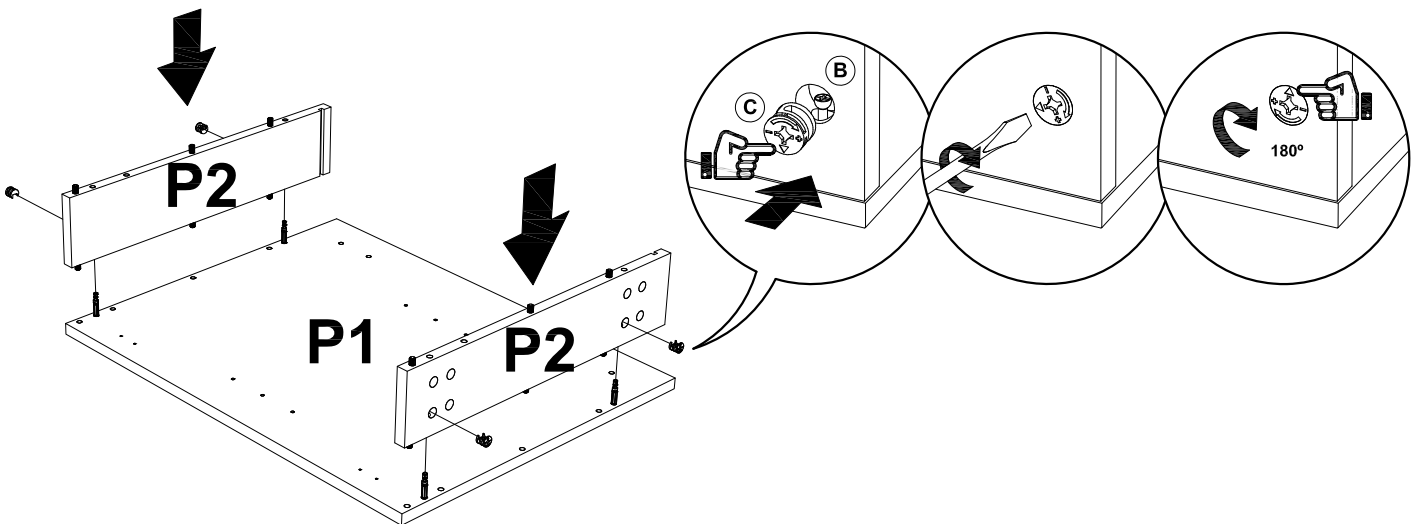
1



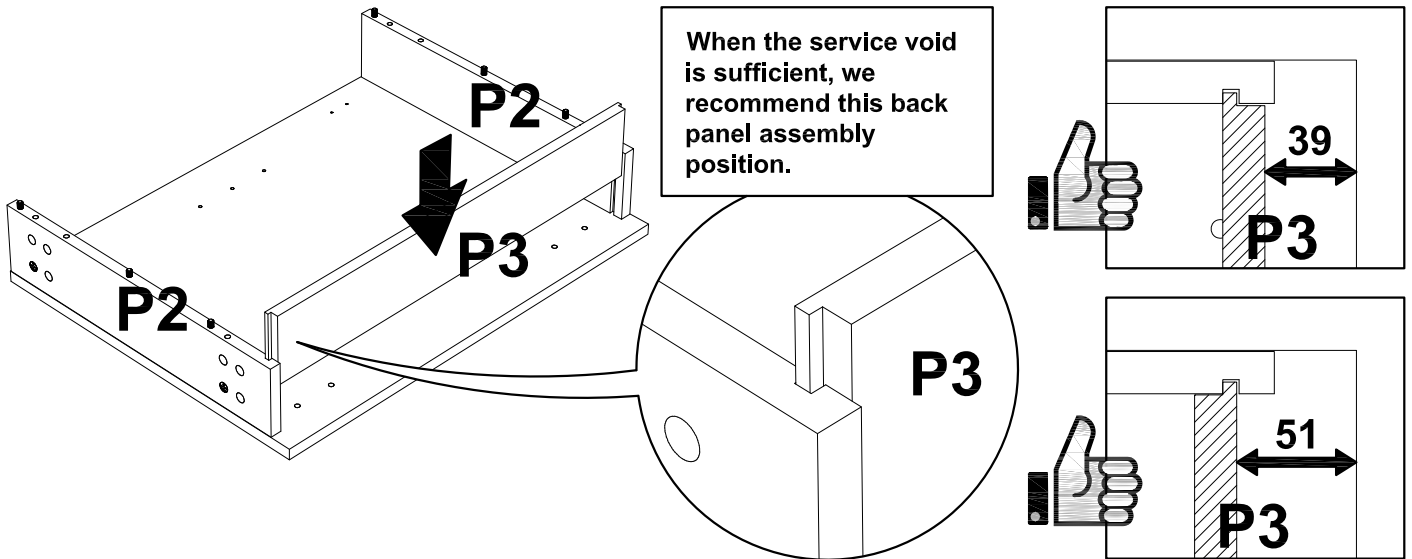
2



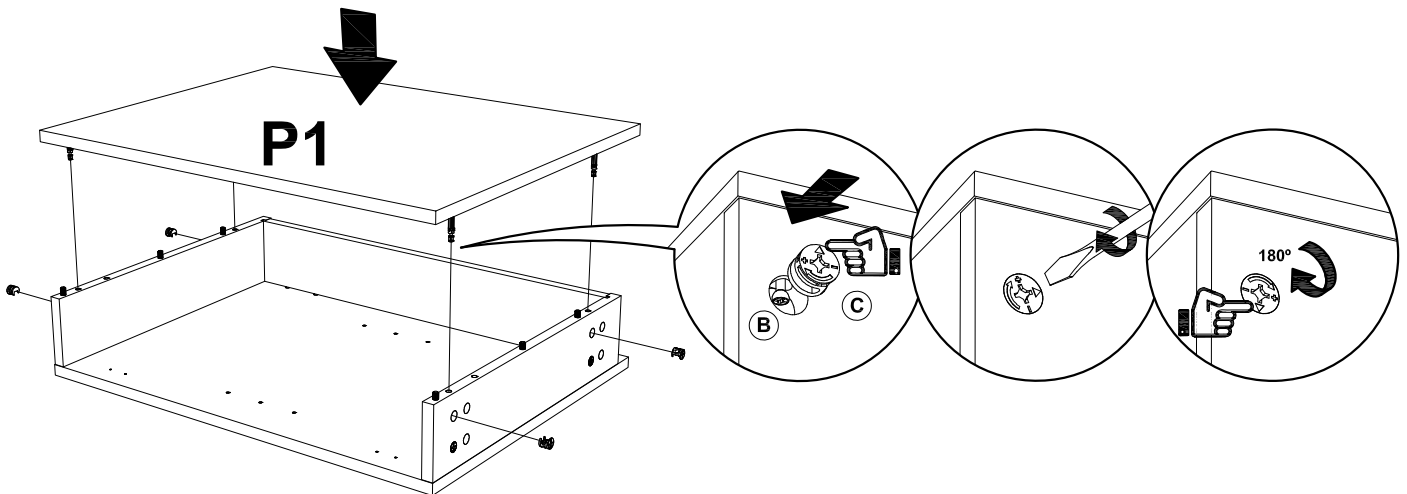
3



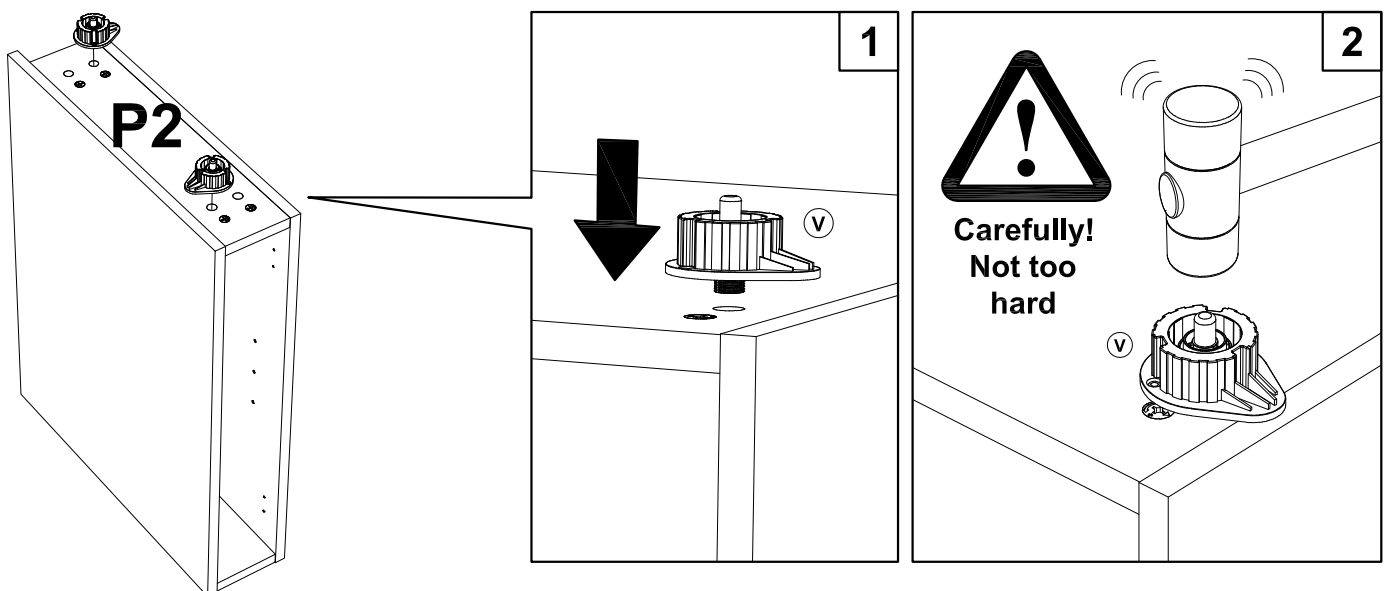
4



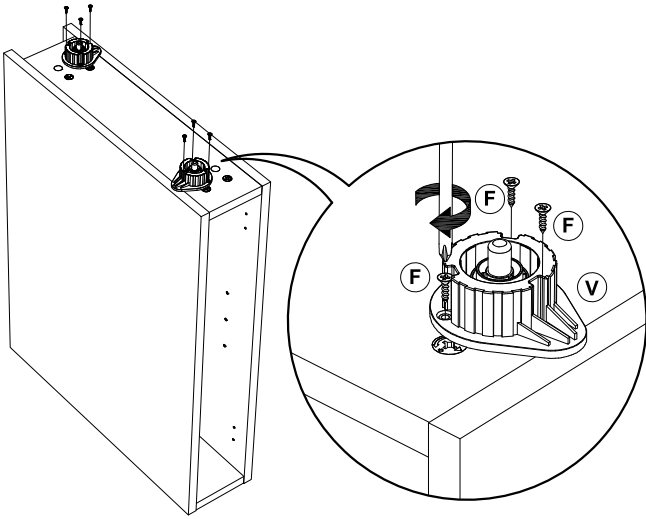
5



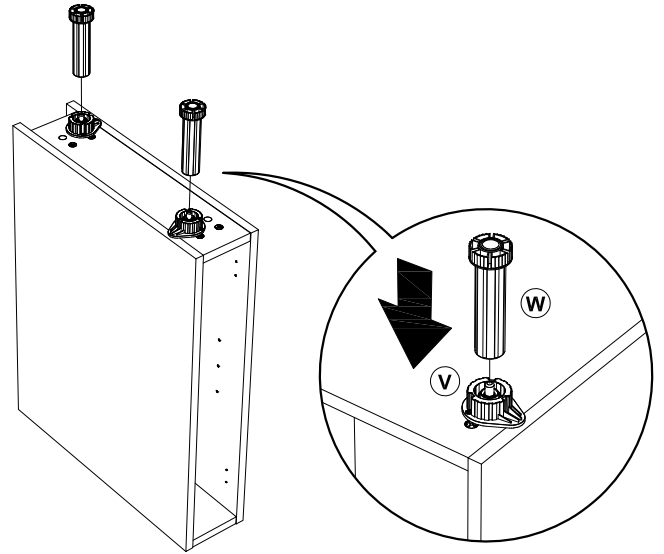
6



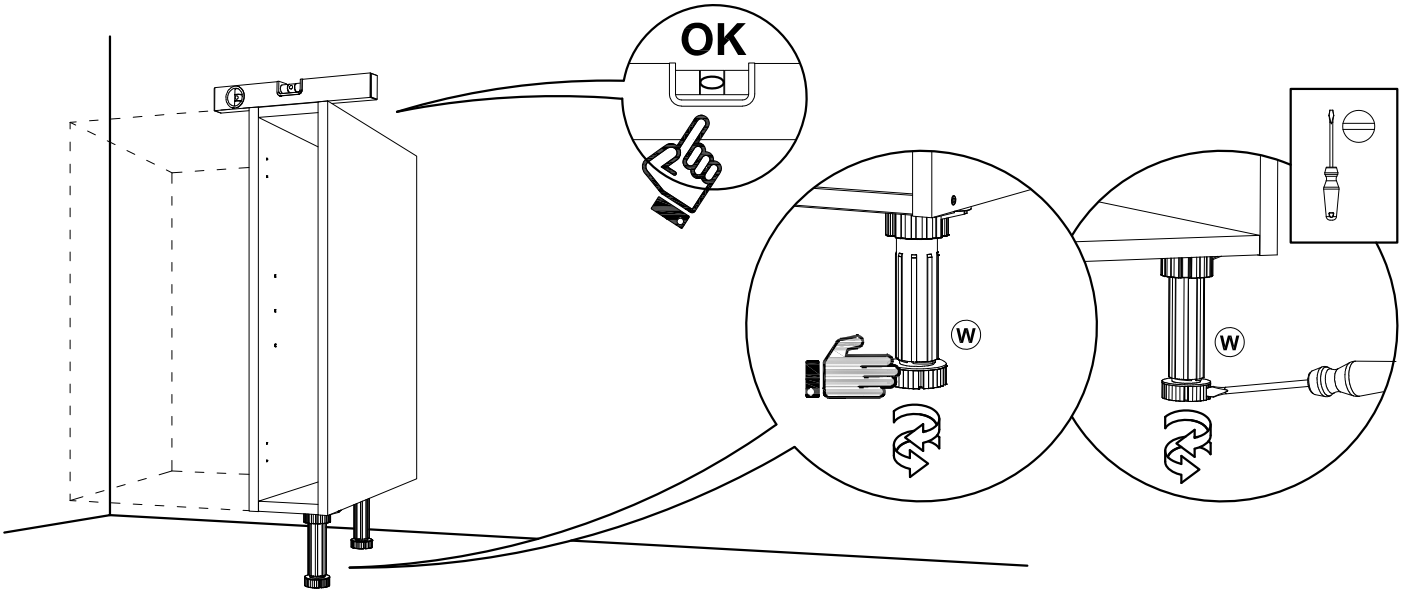
7



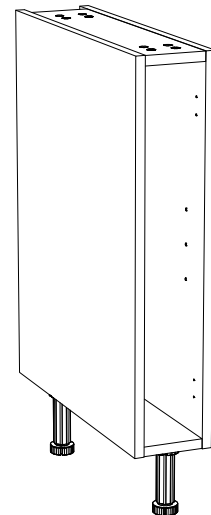
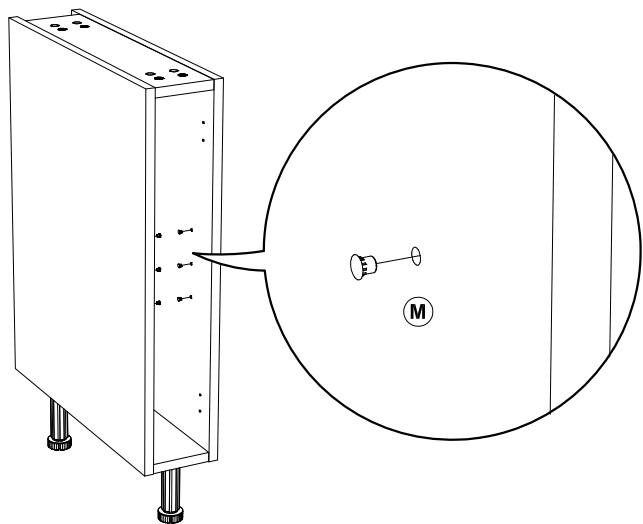
8



9



10



Manufactured in the EU by: Financiera Maderera SA,
Carretera N-550 km 57, Apto. 127, 15707 Santiago de
Compostela, A Coruña, Spain. www.finsa.com

Imported to the UK by: Finsa UK Ltd, 15 Ocean Park,
Dock Road, Birkenhead CH41 1HW, United Kingdom.

Imported to the Republic of Ireland by: Finsa Forest
Products S.A. Scarriff, CO. Clare, Ireland

For any aftersales enquiries, please contact
the seller with the batch number located on the
outer packaging label

X	00	000	0000
A/B/C	00-99	1-366	24h
Batch No.			