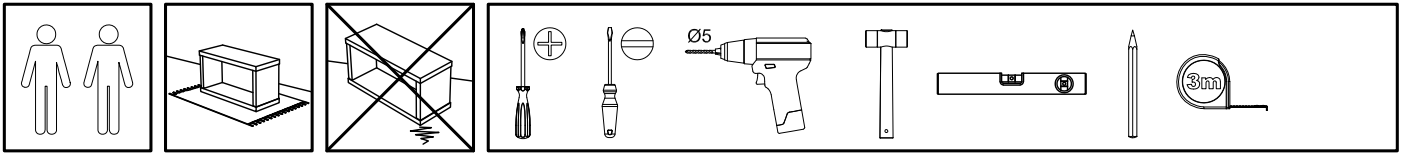


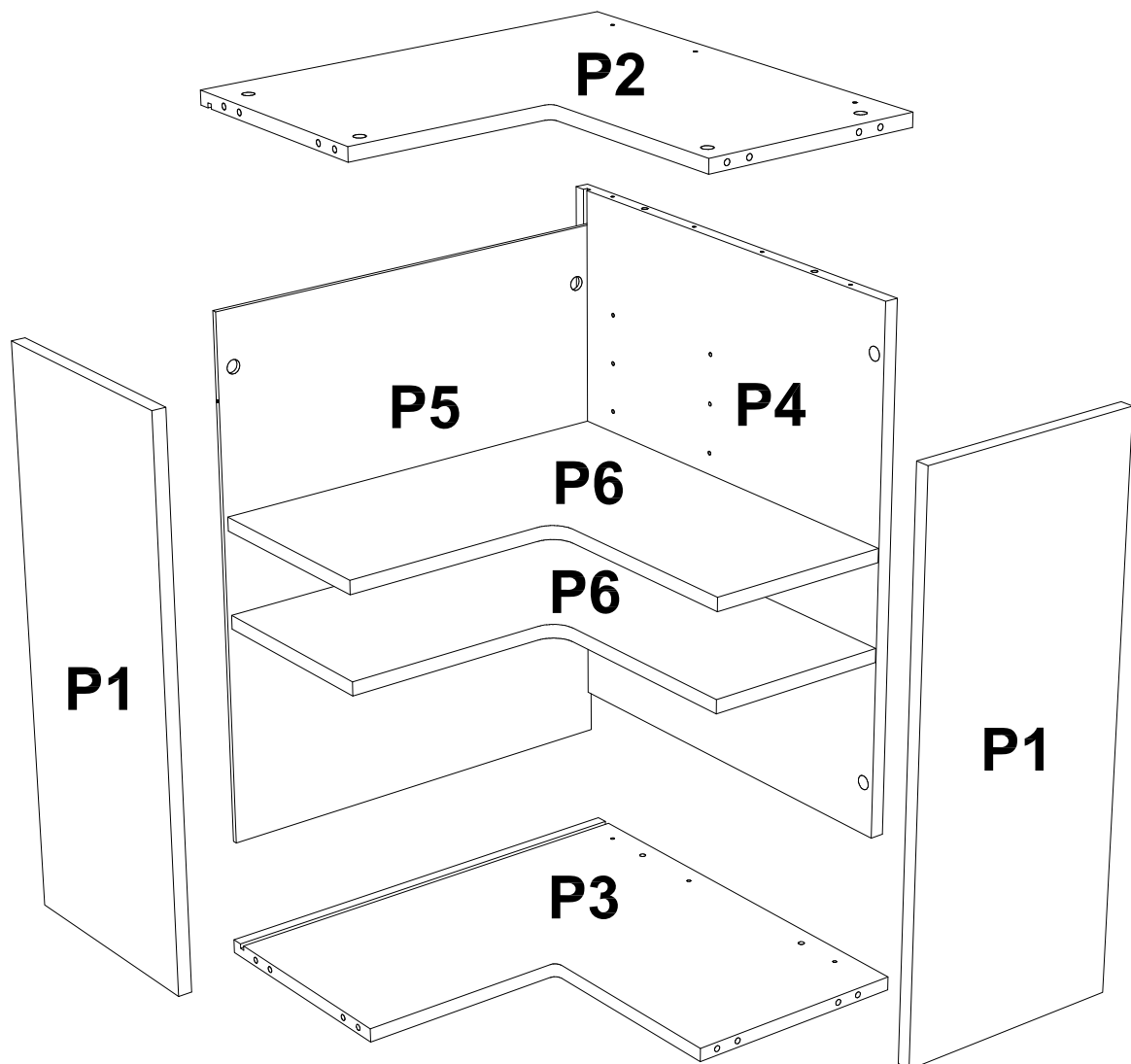
# Excel-Cab

## L-SHAPE CORNER WALL CABINETS



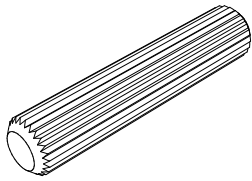
### ASSEMBLY INSTRUCTIONS

Please read these instructions fully before starting assembly

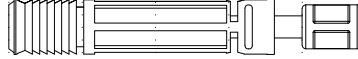
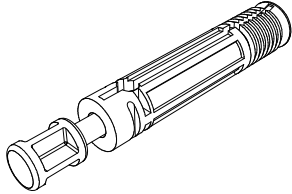


0 1 2 3 4 5 [cm]

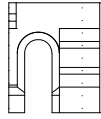
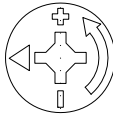
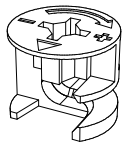
**A** x12



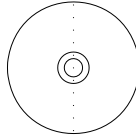
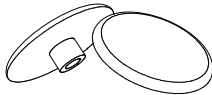
**B** x8



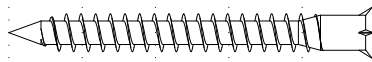
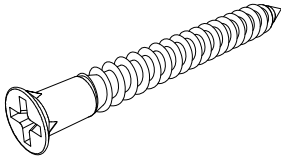
**C** x8



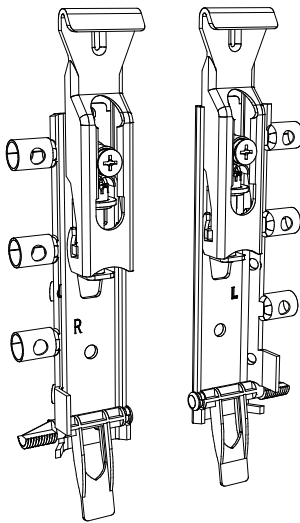
**D** x4



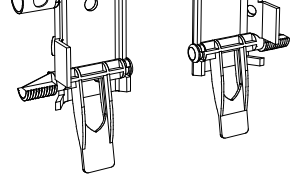
**E** x6



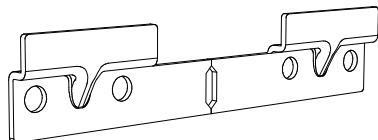
**GR** x2



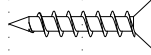
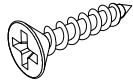
**GL** x2



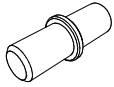
**H** x2



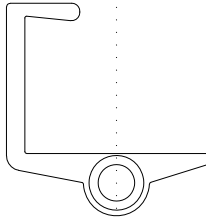
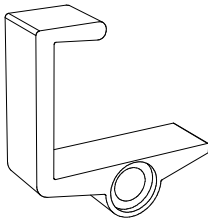
I x3



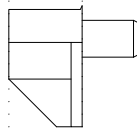
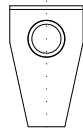
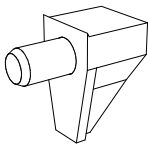
J x4



K x4



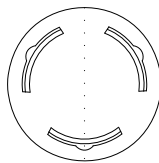
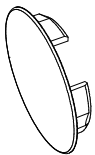
L x8



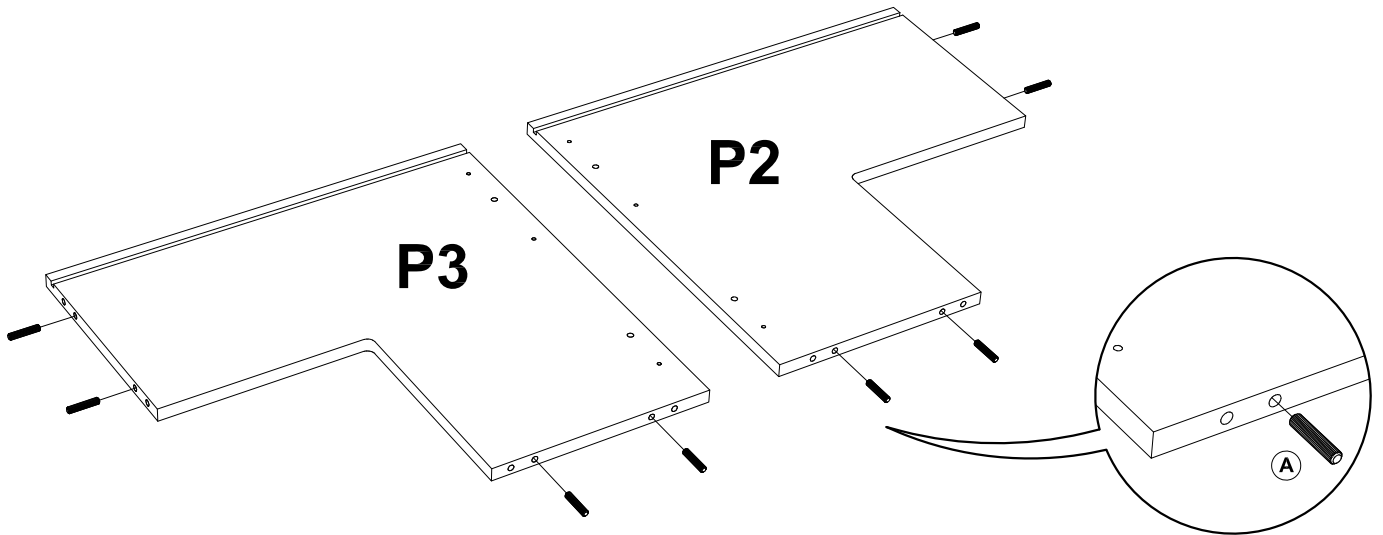
M x30



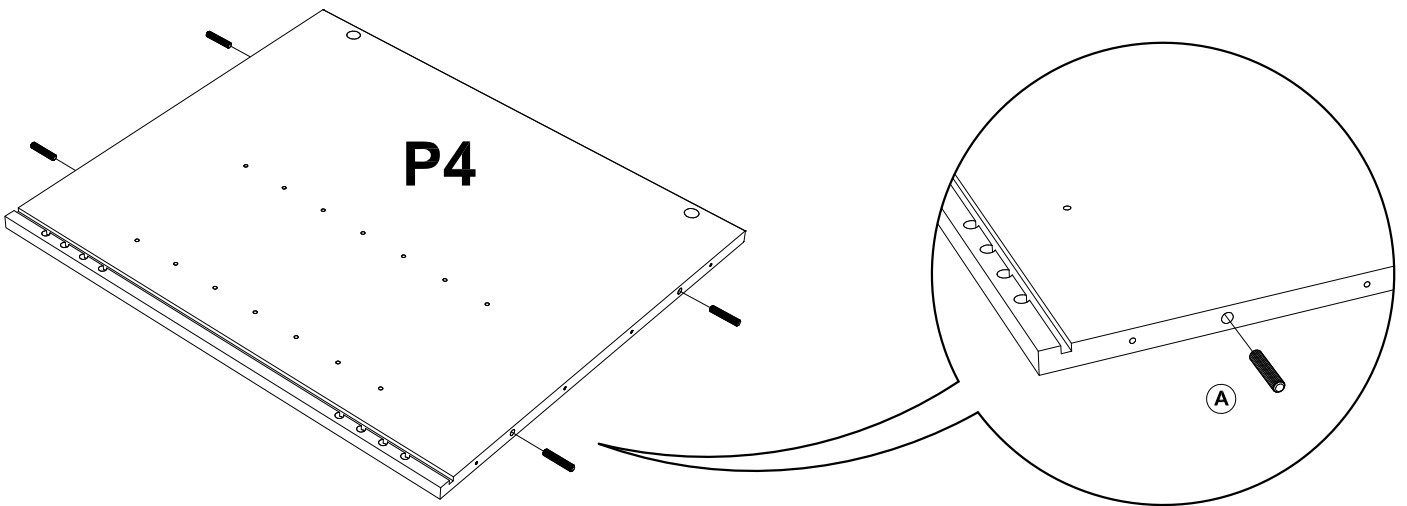
X x4



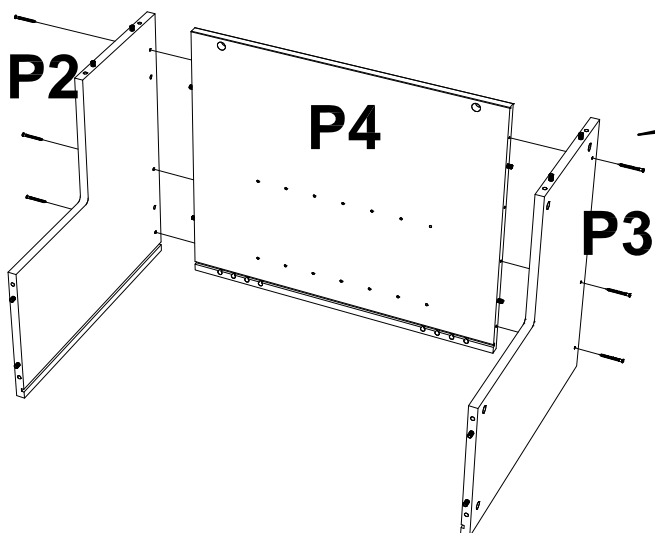
1



2

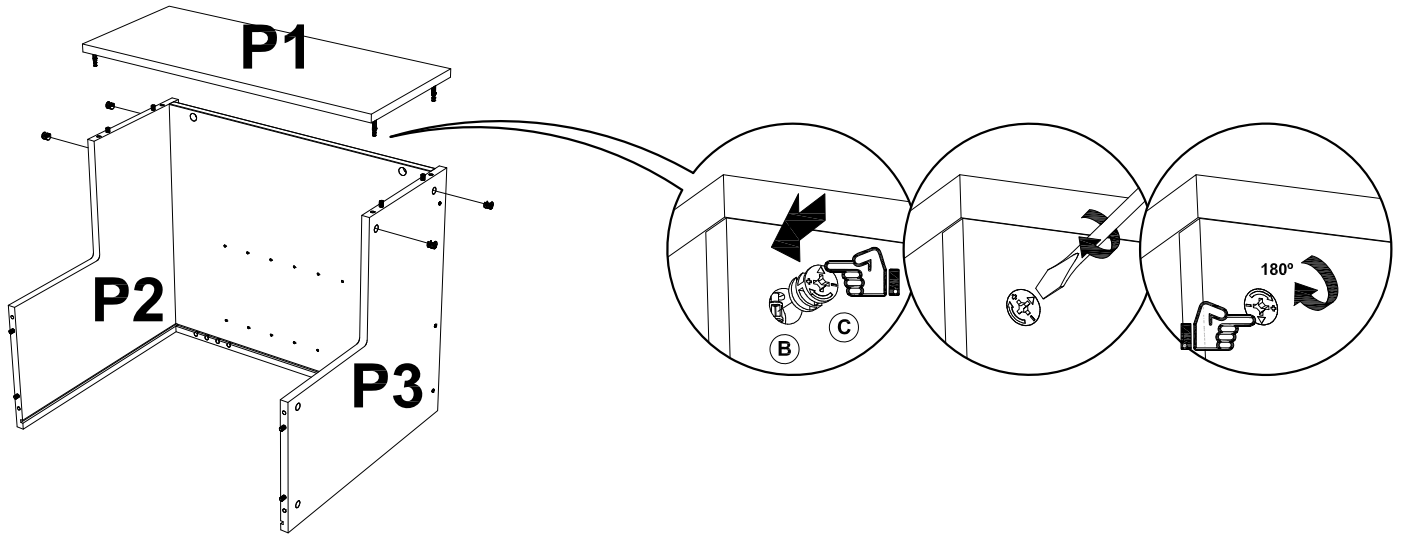


3

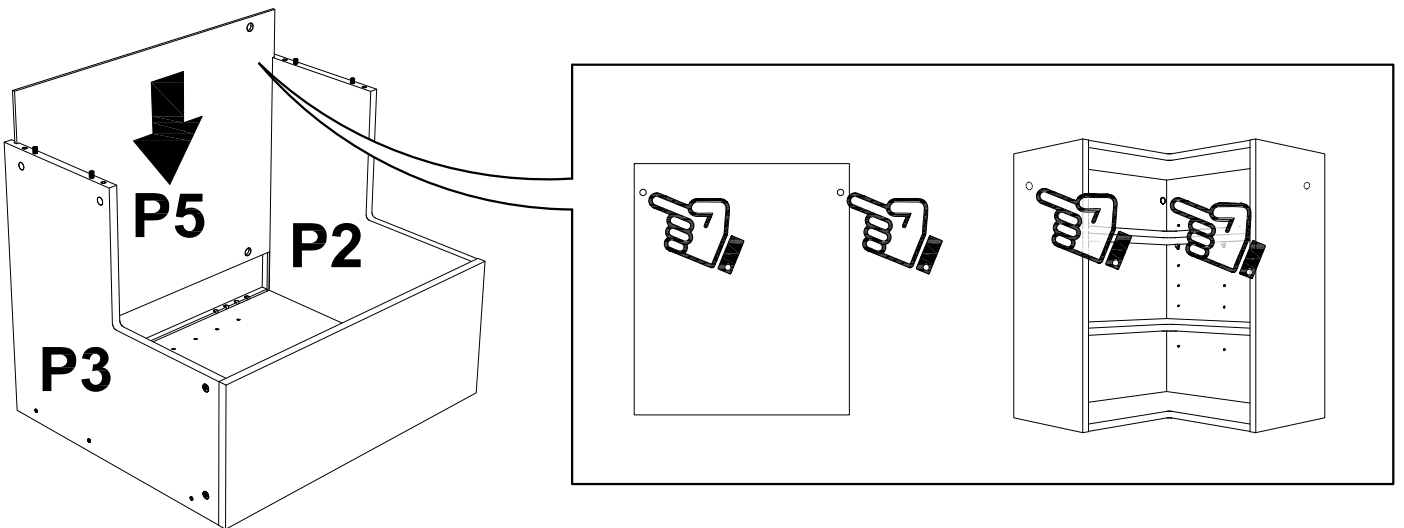


The 18 mm back panel can be assembled on either side of the cabinet.

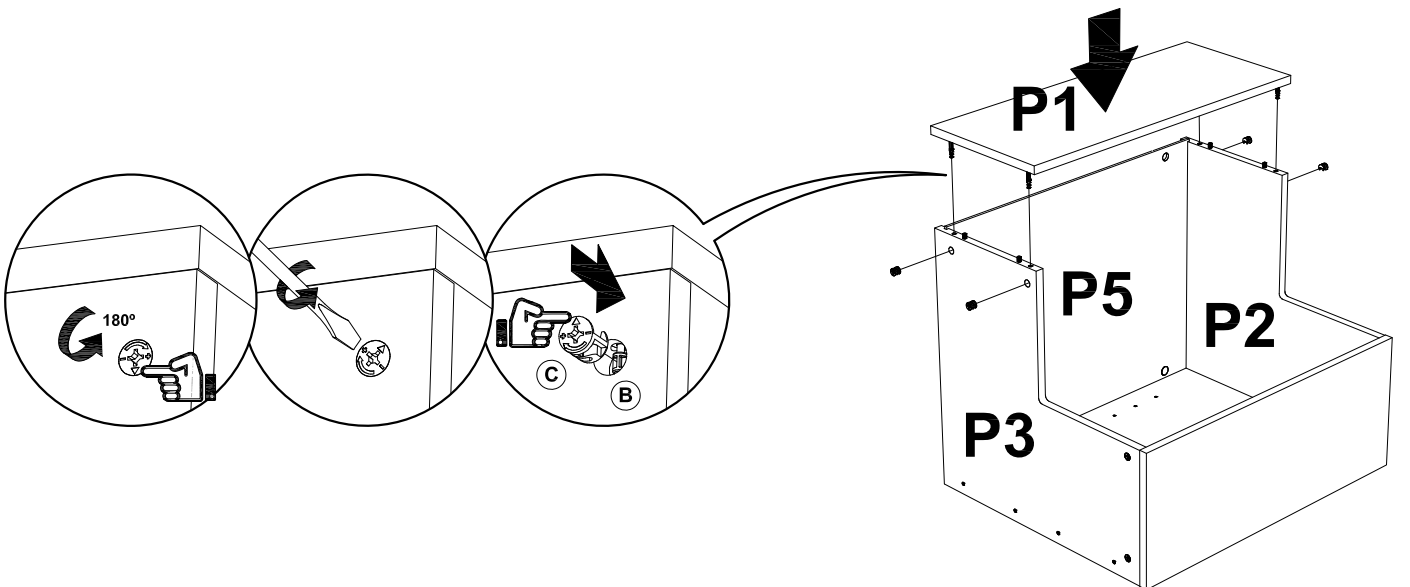
4



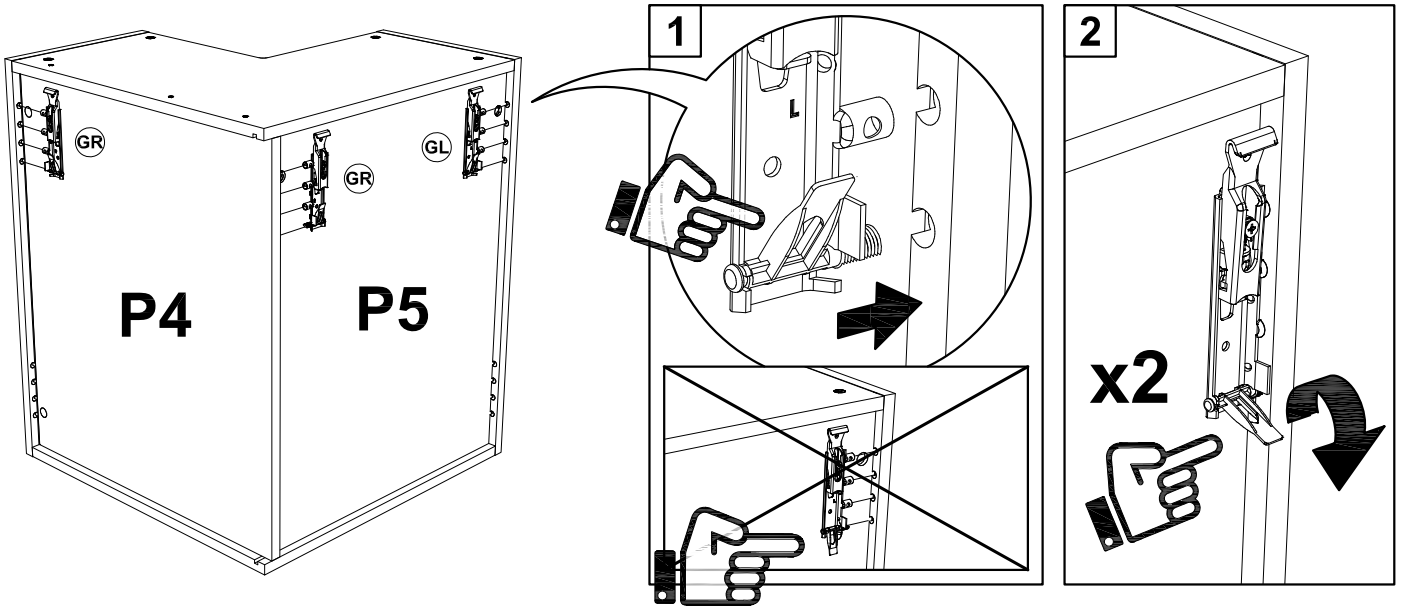
5



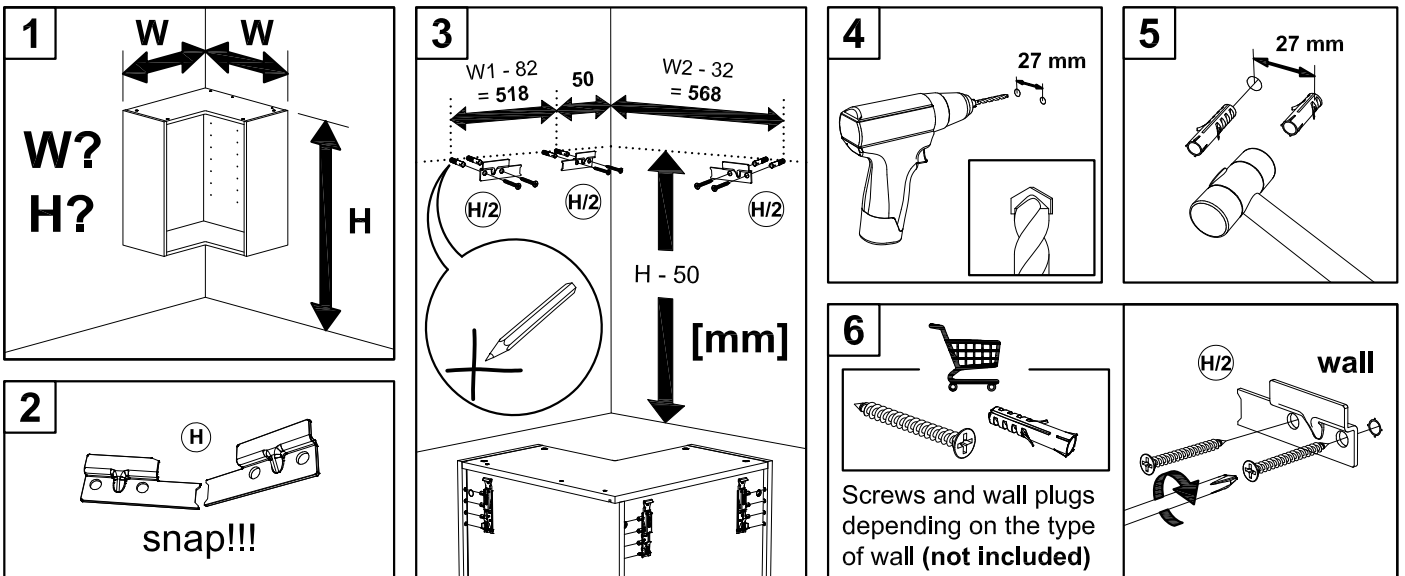
6



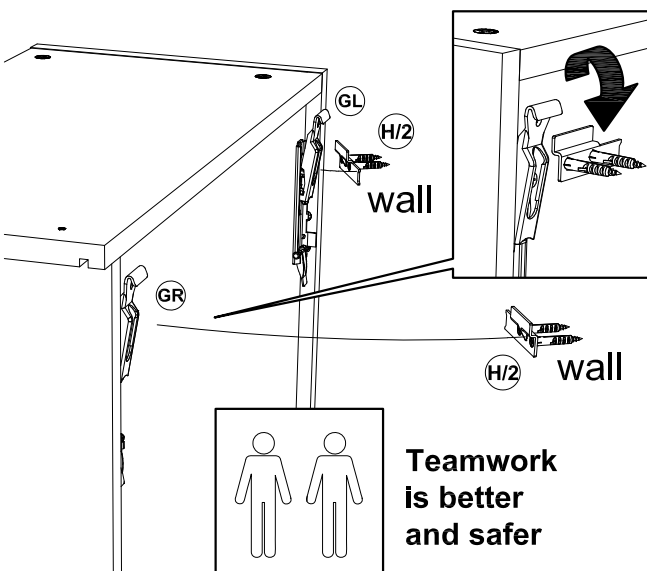
7



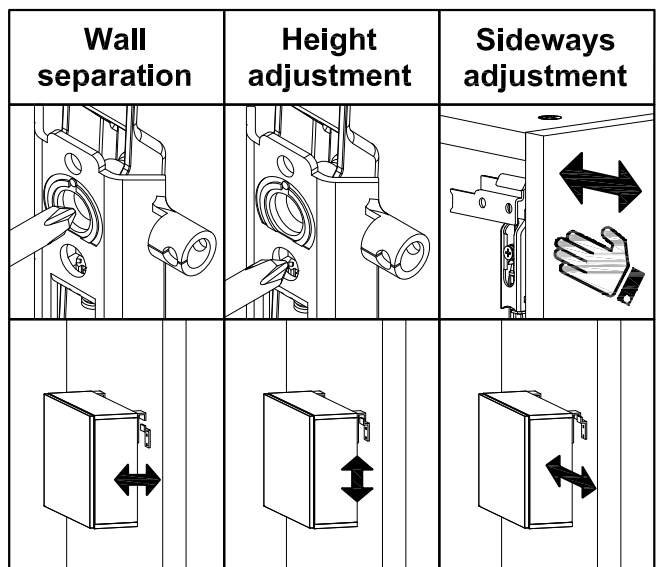
8



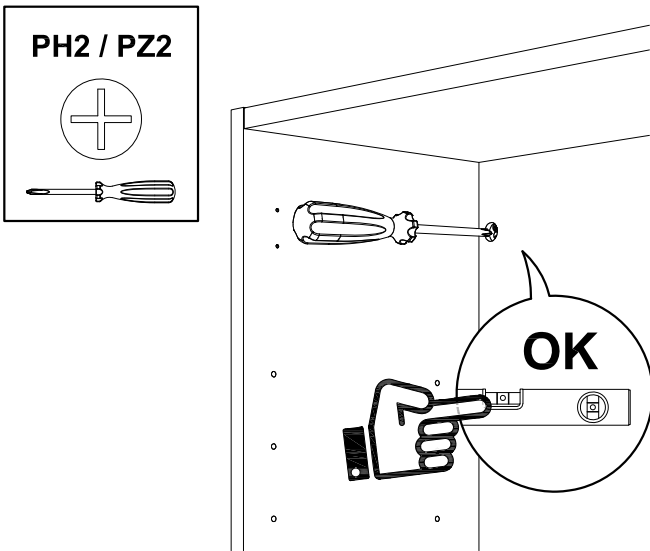
9



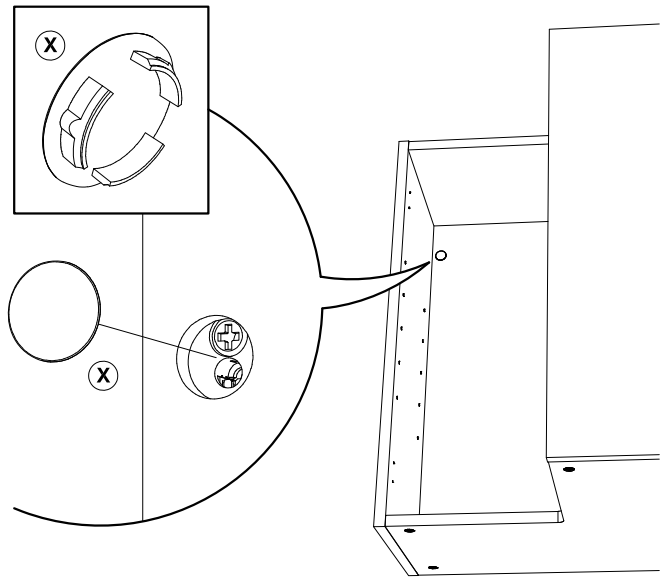
### info



10

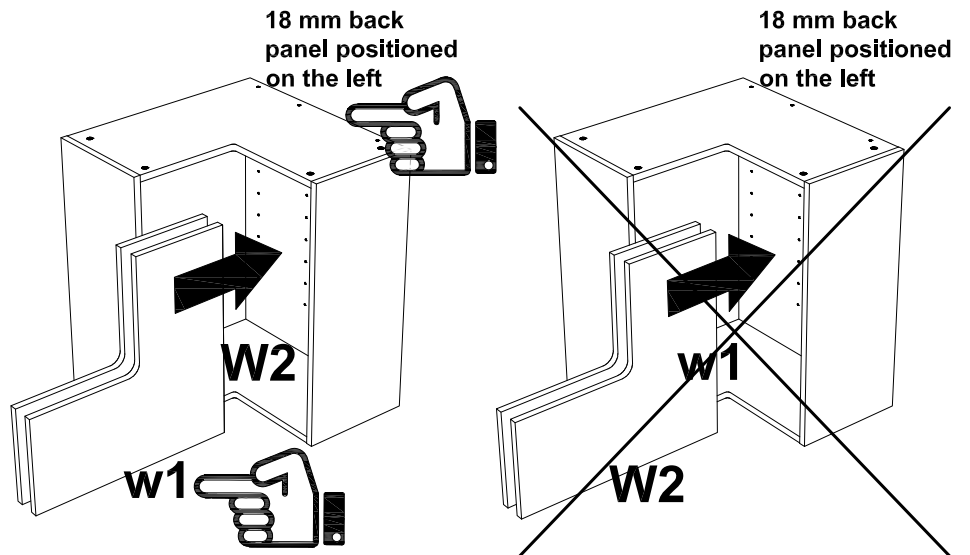
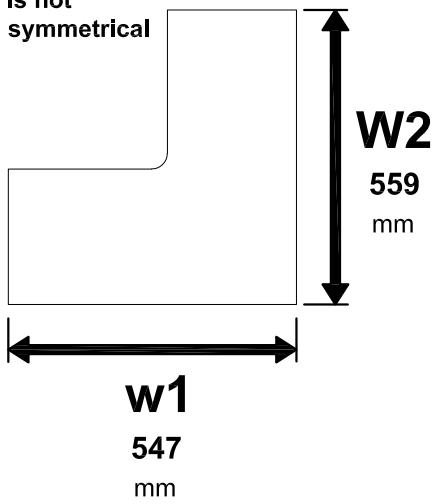


11

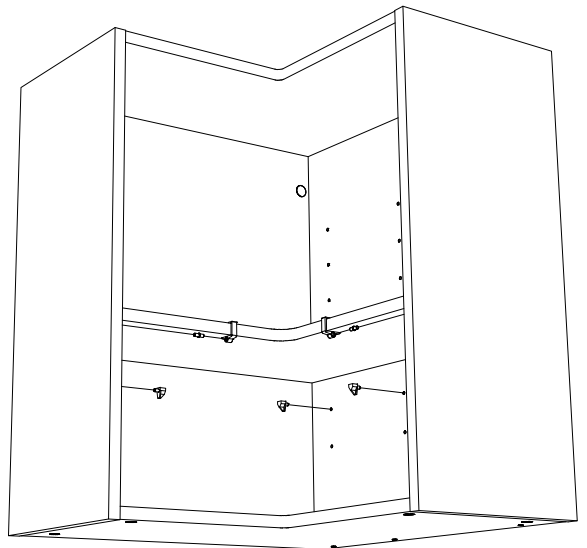
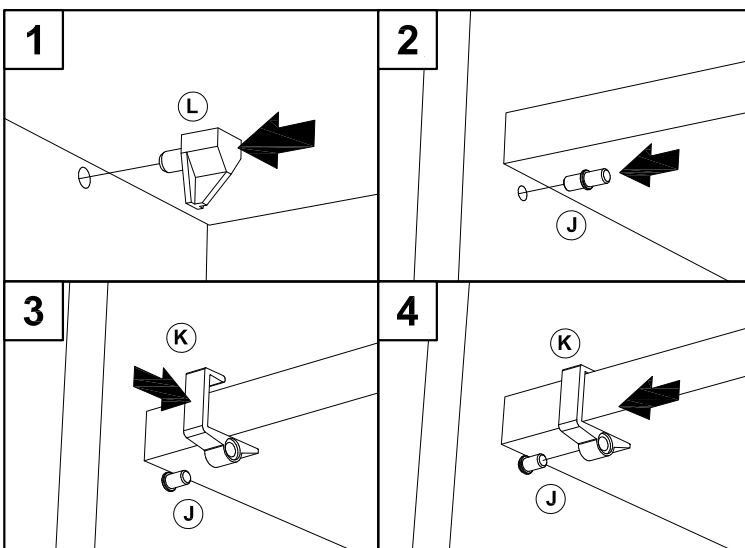


12

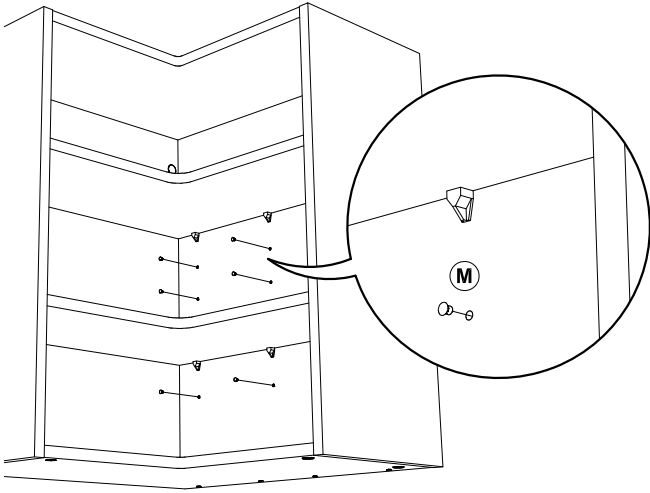
The shelf is not symmetrical



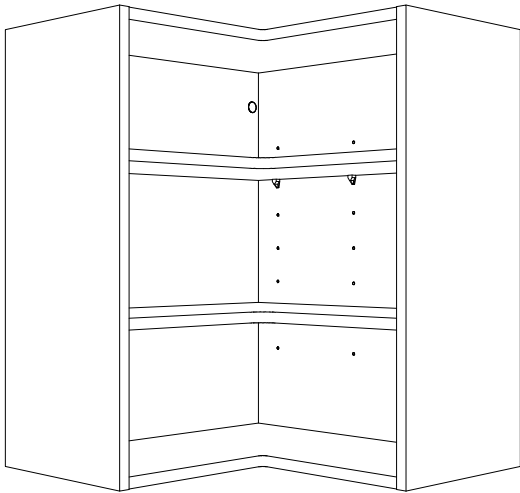
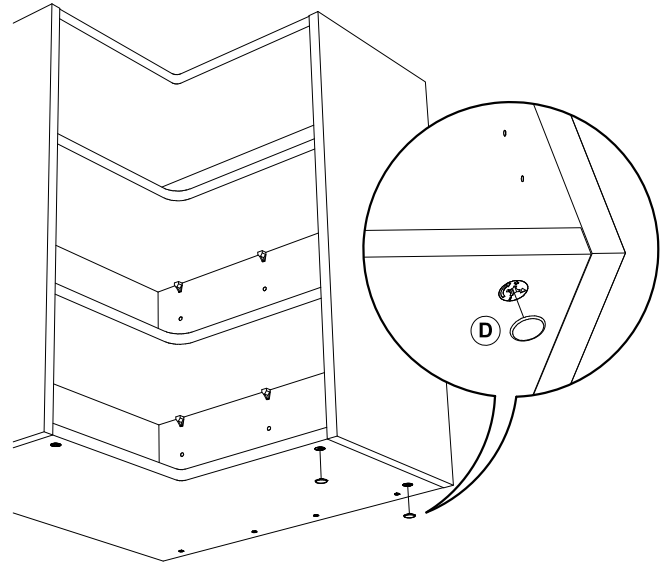
13



14



15



For any aftersales enquiries, please contact the seller with the batch number located on the outer packaging label

<b>X</b>	<b>00</b>	<b>000</b>	<b>0000</b>
A/B/C	00-99	1-366	24h
Batch No.			