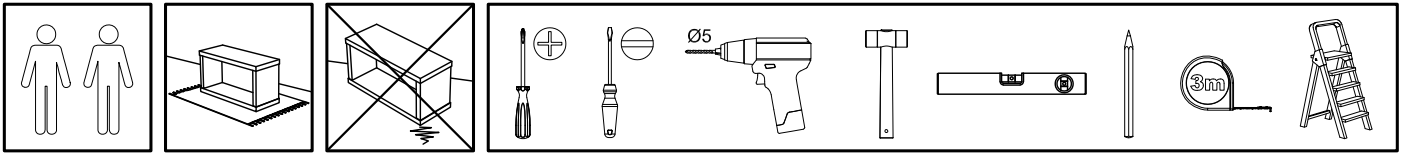


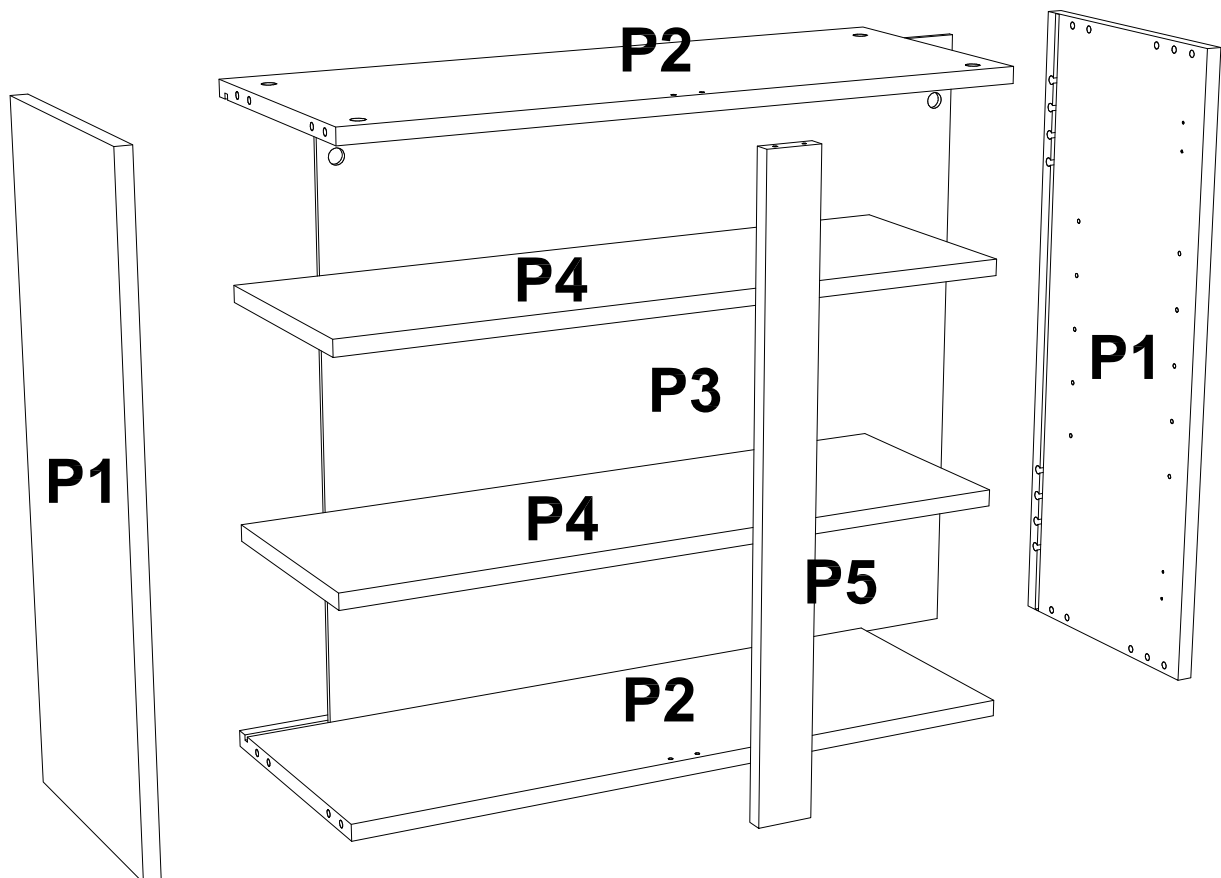
Excel-Cab

DOUBLE WALL CABINETS



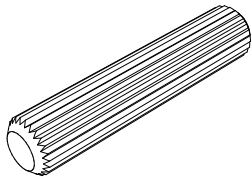
ASSEMBLY INSTRUCTIONS

Please read these instructions fully before starting assembly

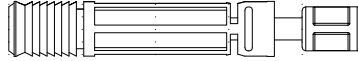
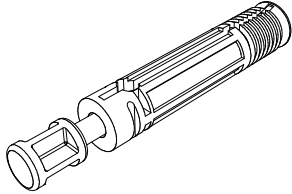


0 1 2 3 4 5 [cm]

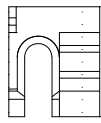
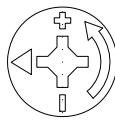
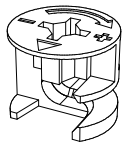
A x8



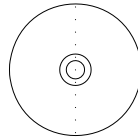
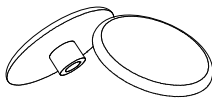
B x8



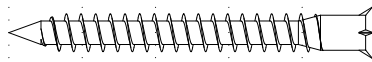
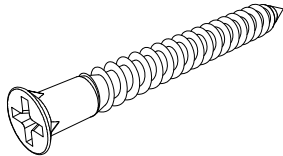
C x8



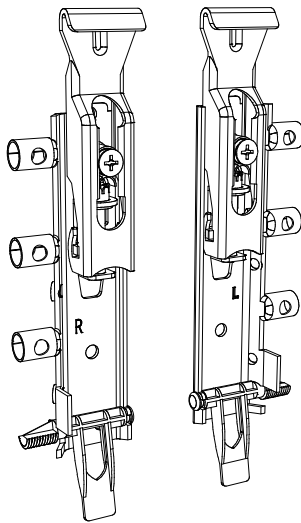
D x4



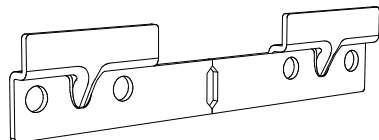
E x4



GR x1



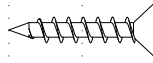
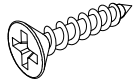
GL x1



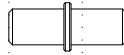
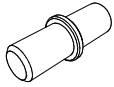
H x1

0 1 2 3 4 5 [cm]

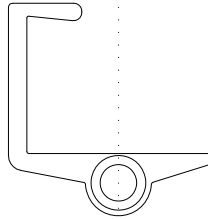
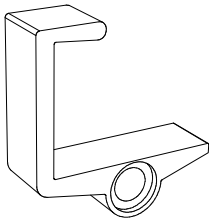
I x2



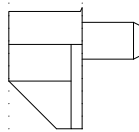
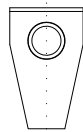
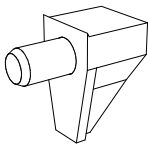
J x4



K x4



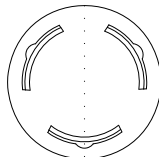
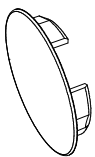
L x6



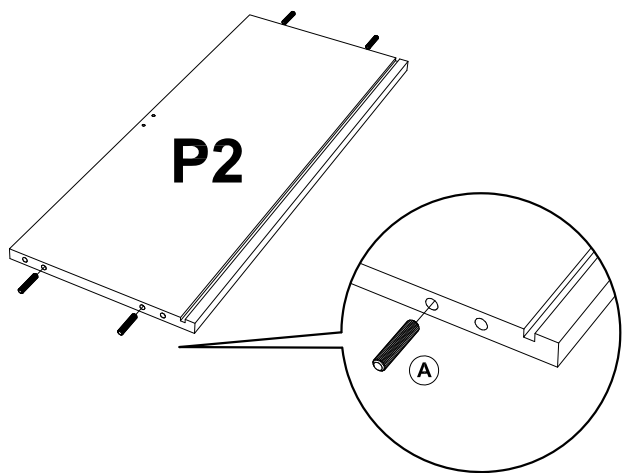
M x20



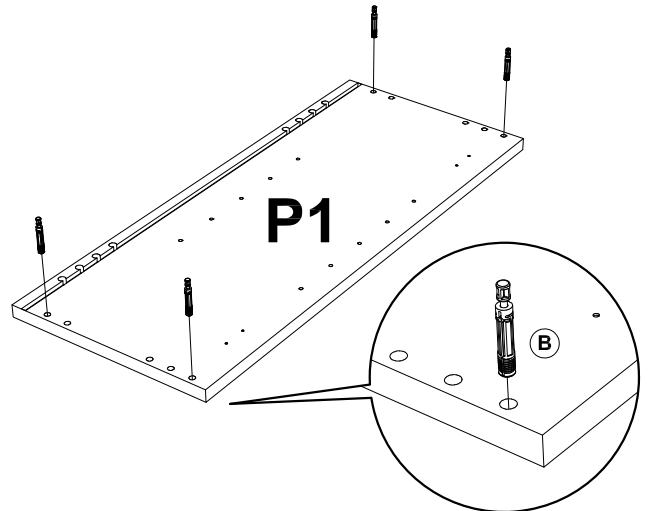
X x2



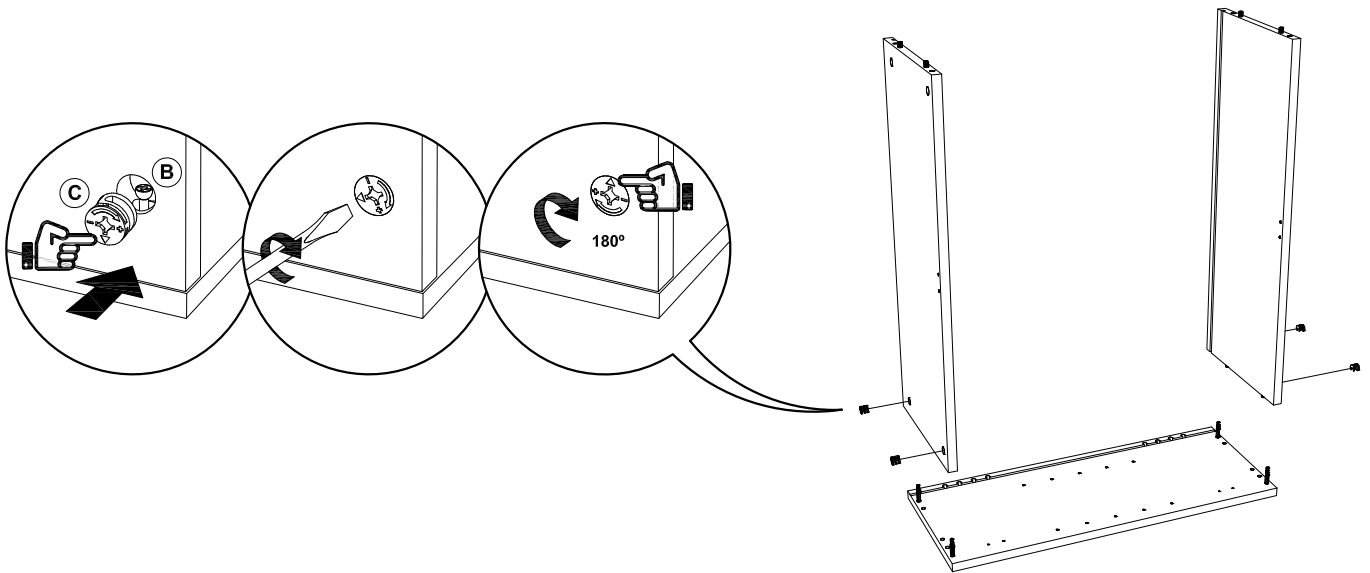
1



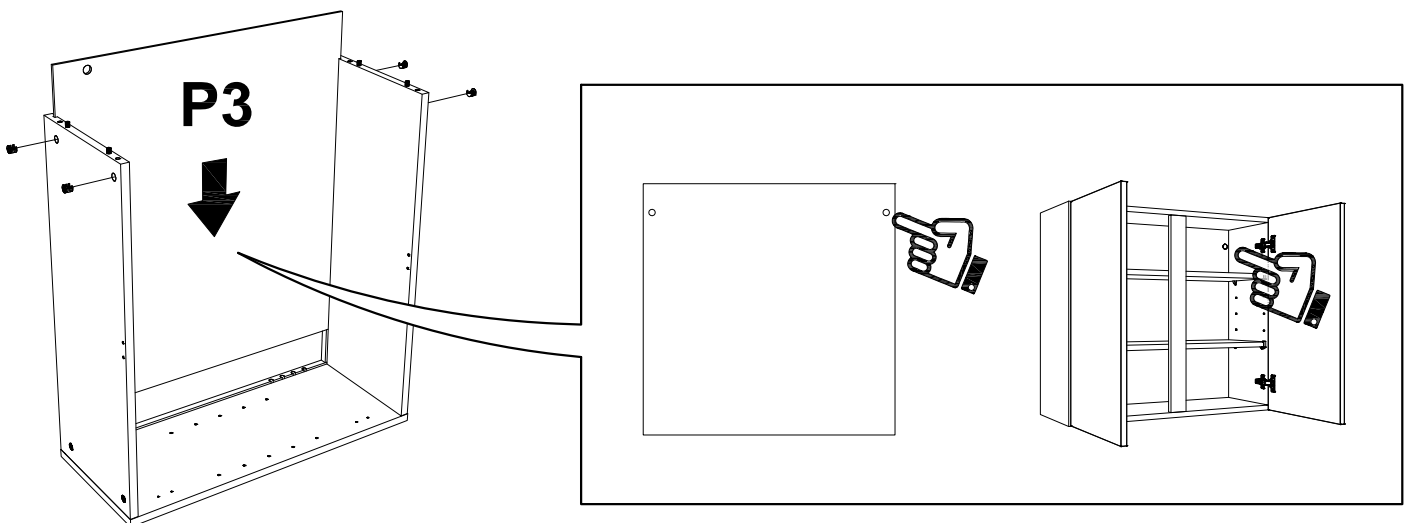
2



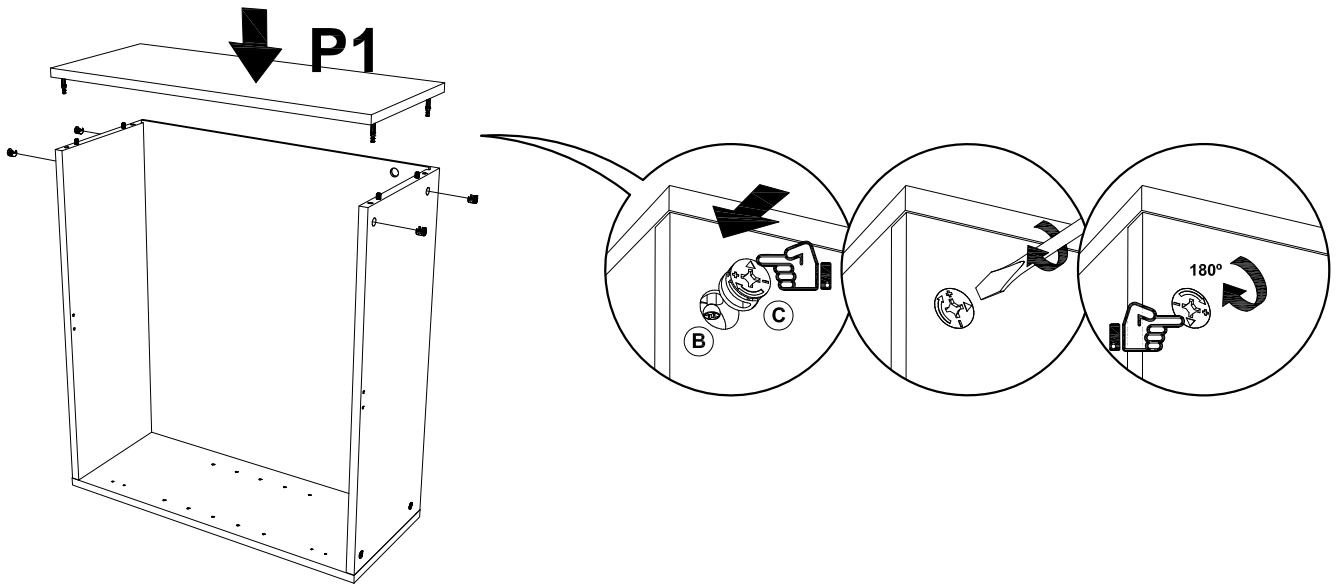
3



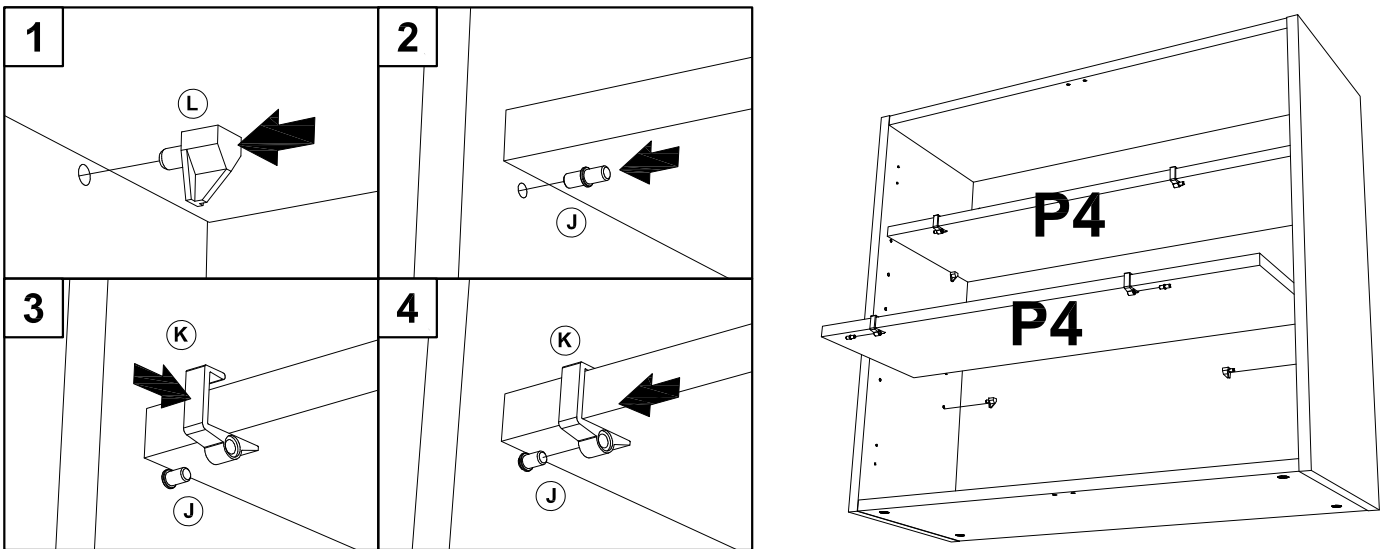
4



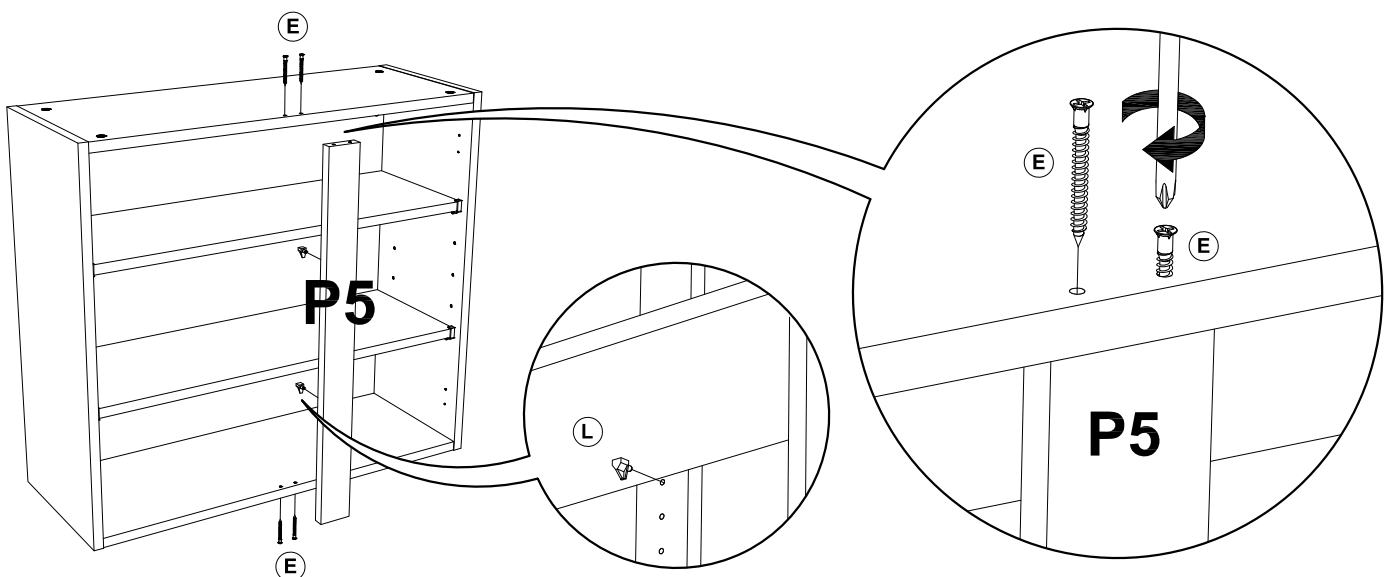
5

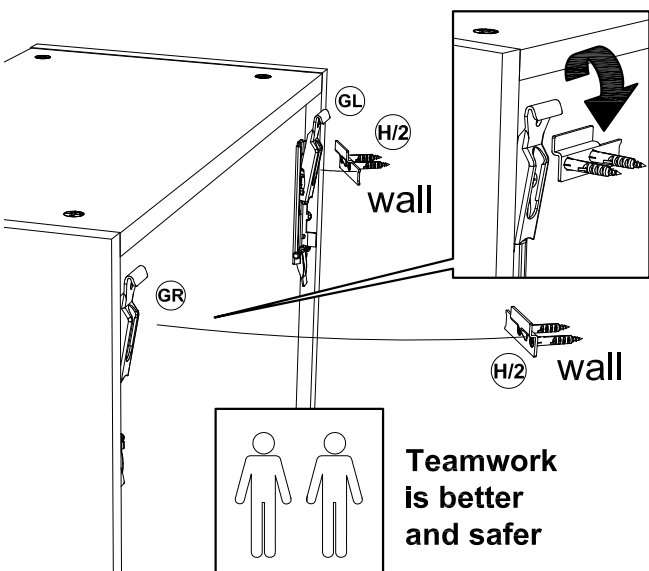
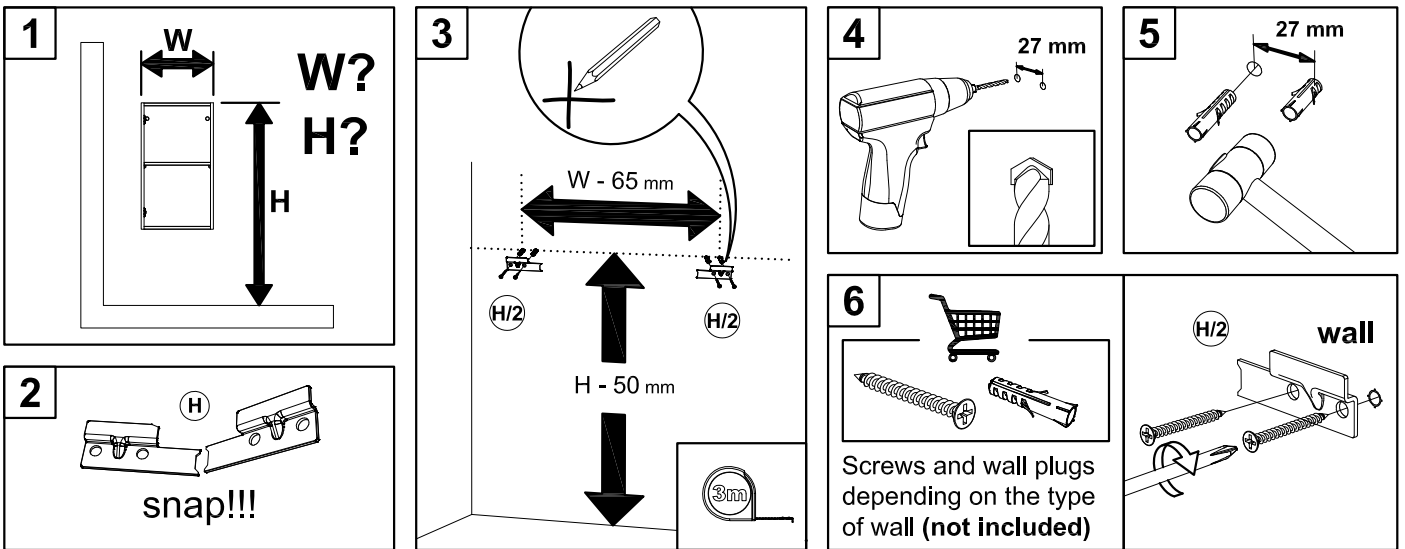
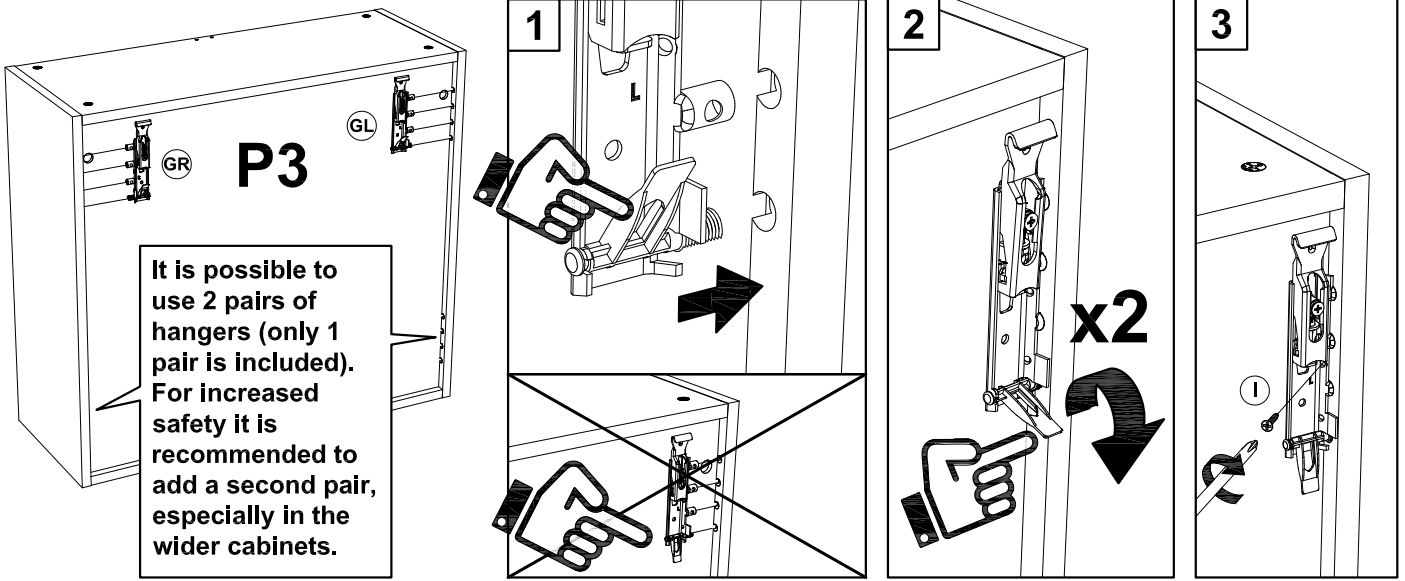


6

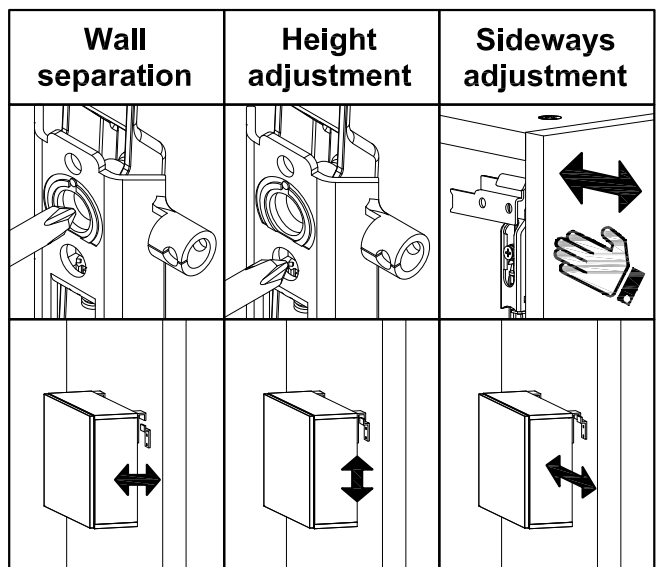


7

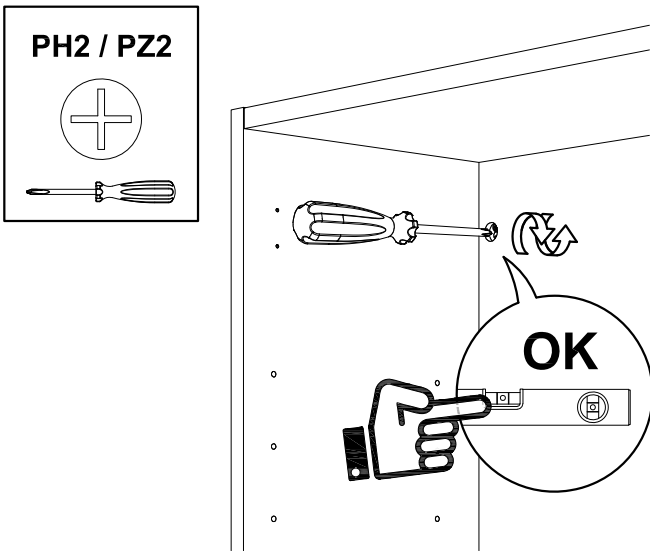




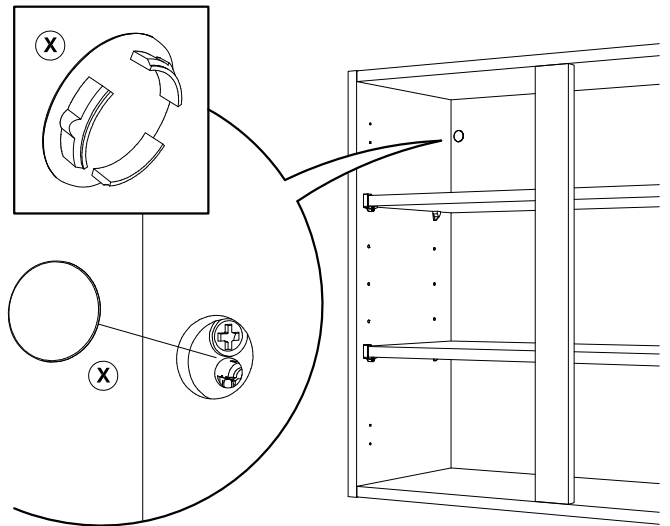
info



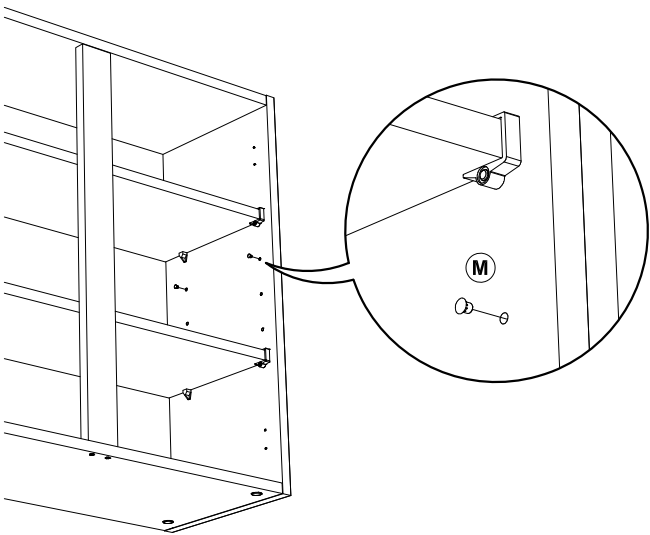
11



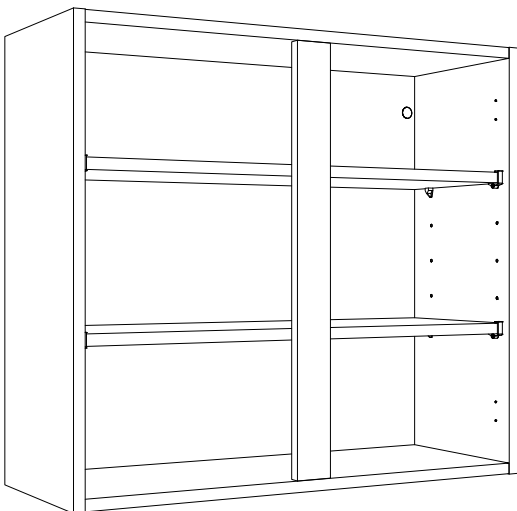
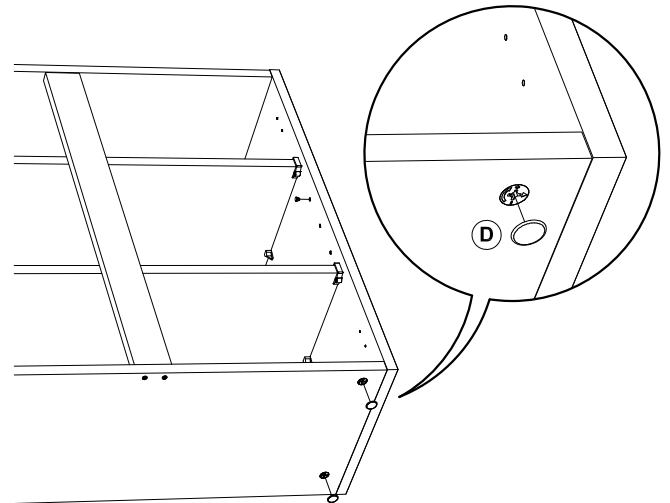
12



13



14



For any aftersales enquiries, please contact the seller with the batch number located on the outer packaging label

X	00	000	0000
A/B/C	00-99	1-366	24h
Batch No.			