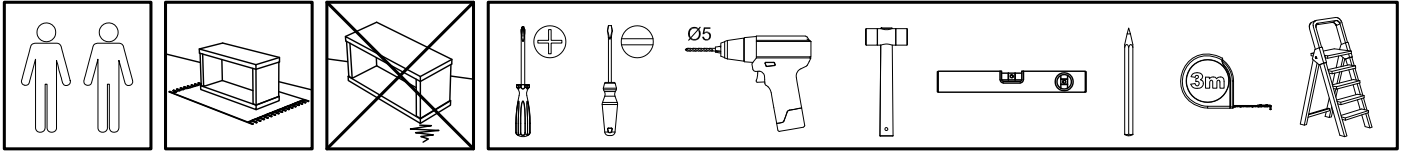


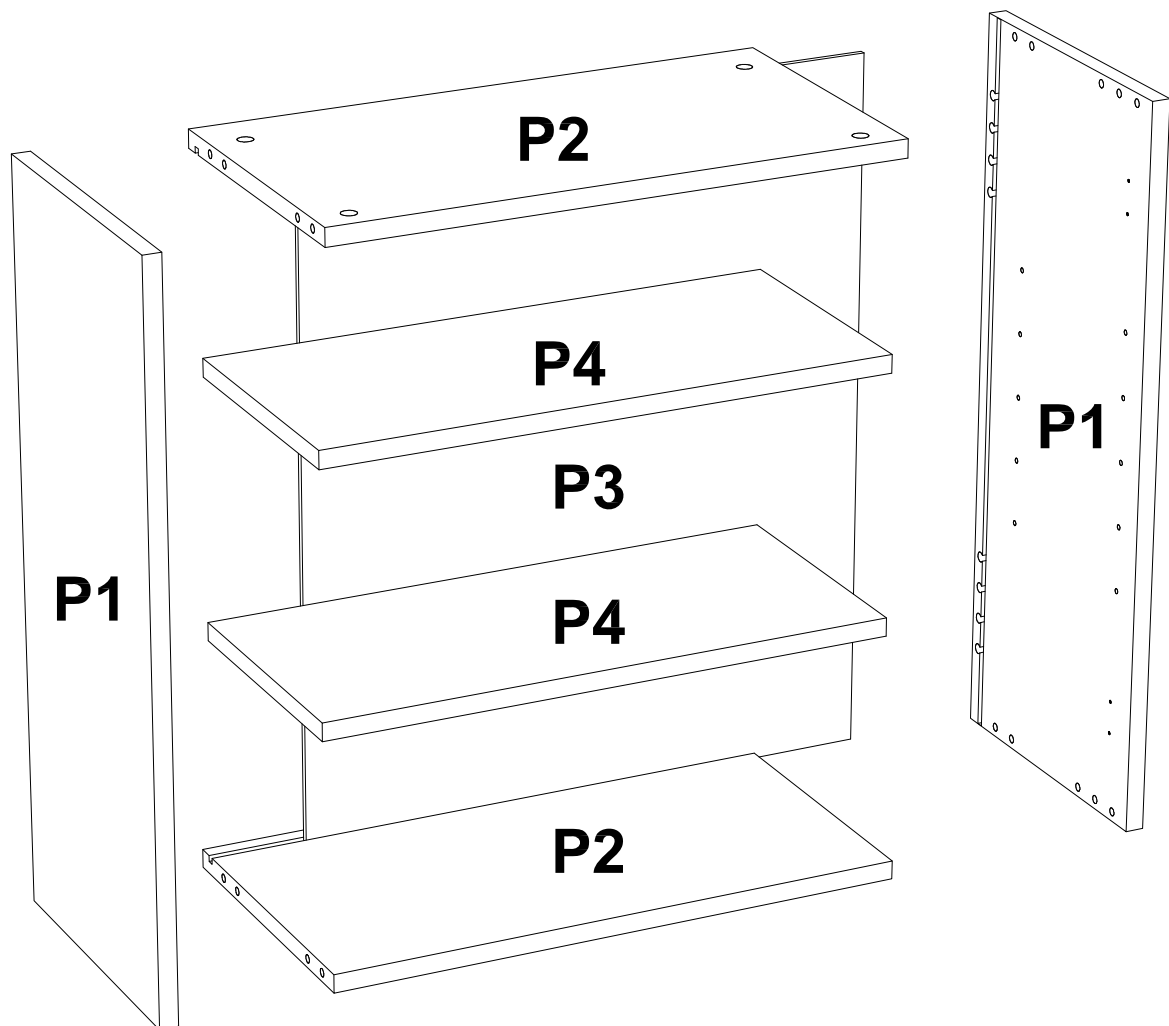
# Excel-Cab

## WALL CABINETS



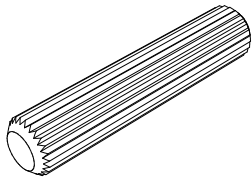
### ASSEMBLY INSTRUCTIONS

Please read these instructions fully before starting assembly

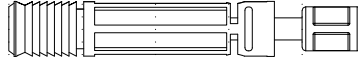
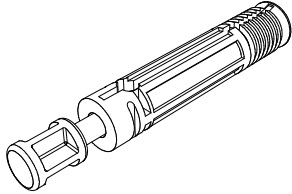


0 1 2 3 4 5 [cm]

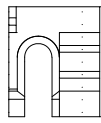
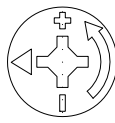
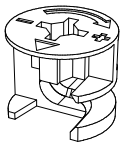
**A** x8



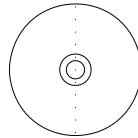
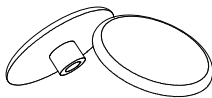
**B** x8



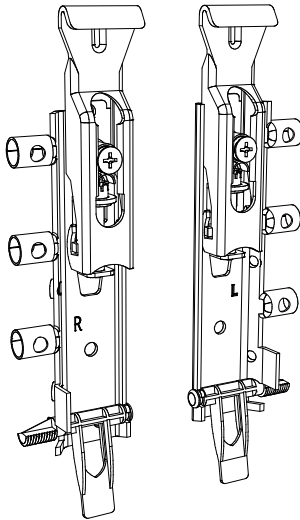
**C** x8



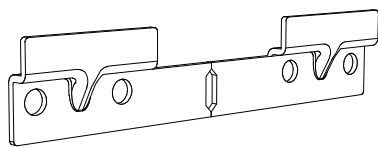
**D** x4



**GR** x1

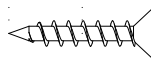
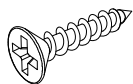


**GL** x1



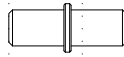
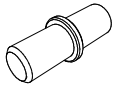
**H** x1

**I** x2

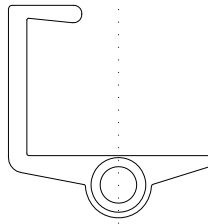
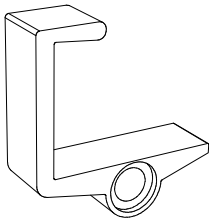


0 1 2 3 4 5 [cm]

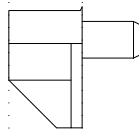
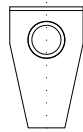
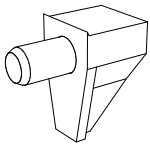
ⓐ x4



ⓑ x4



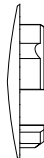
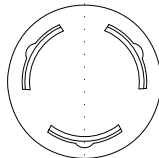
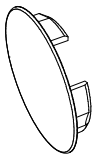
ⓒ x4



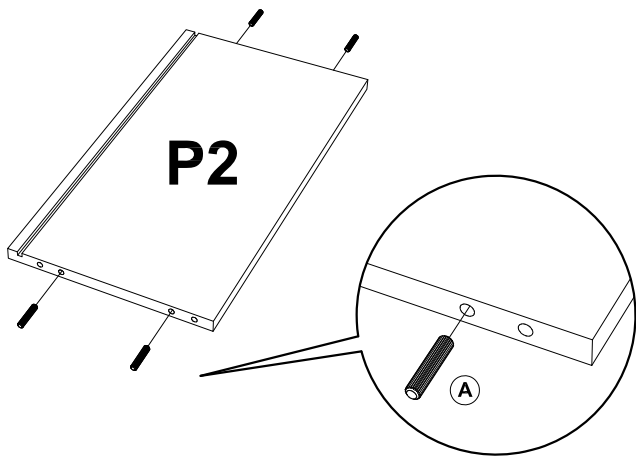
ⓓ x20



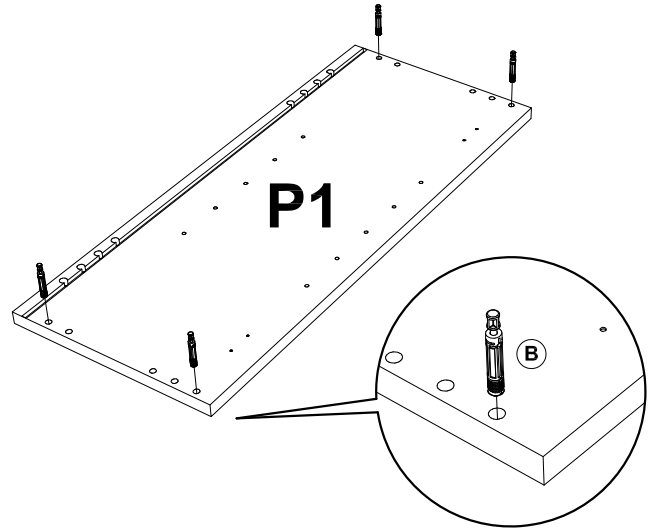
ⓔ x2



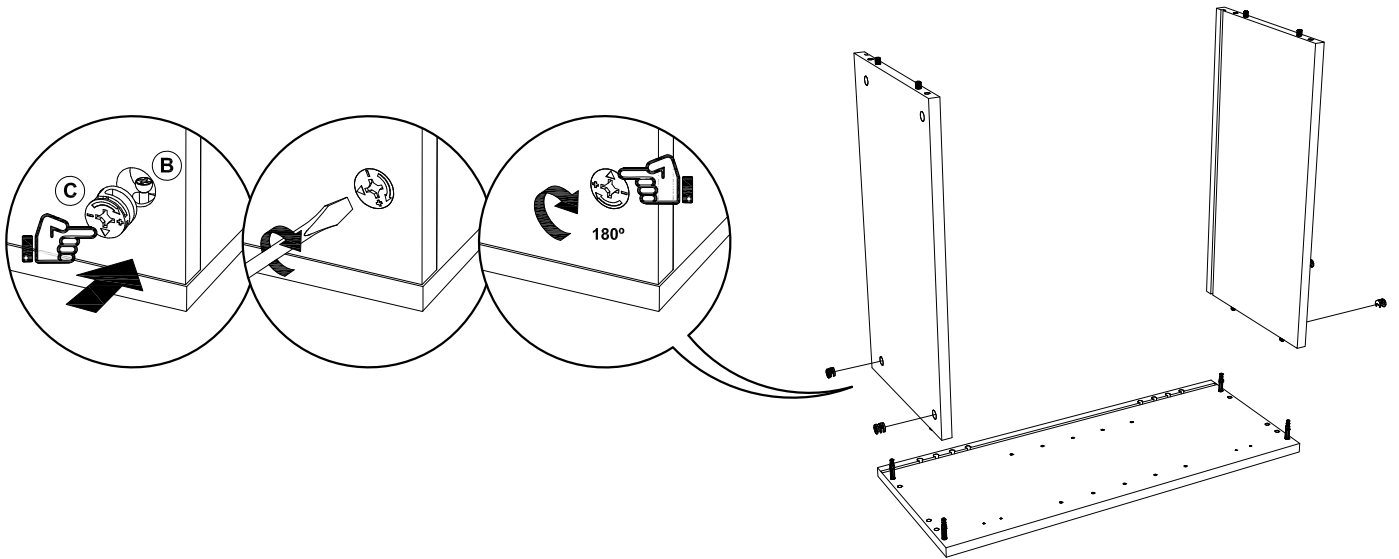
1



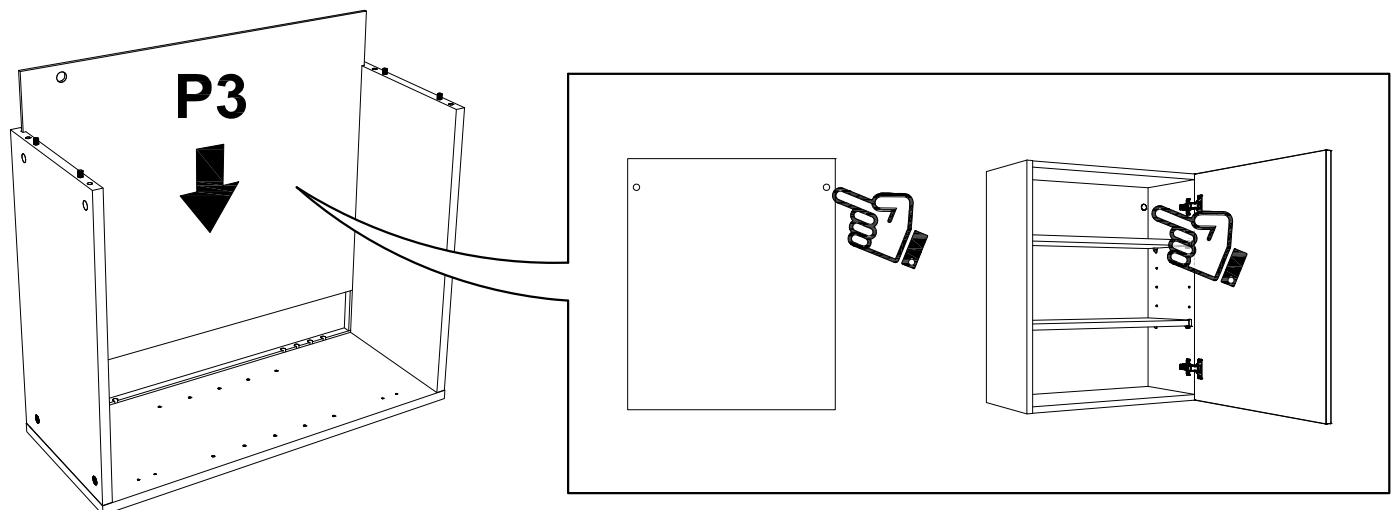
2



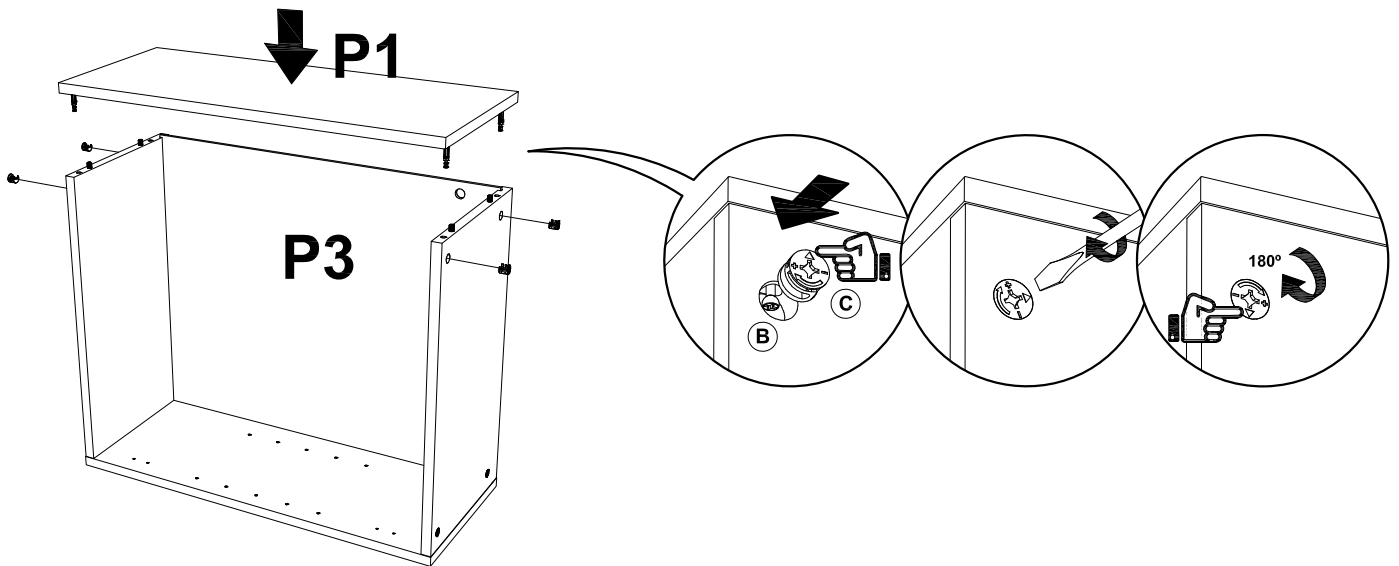
3



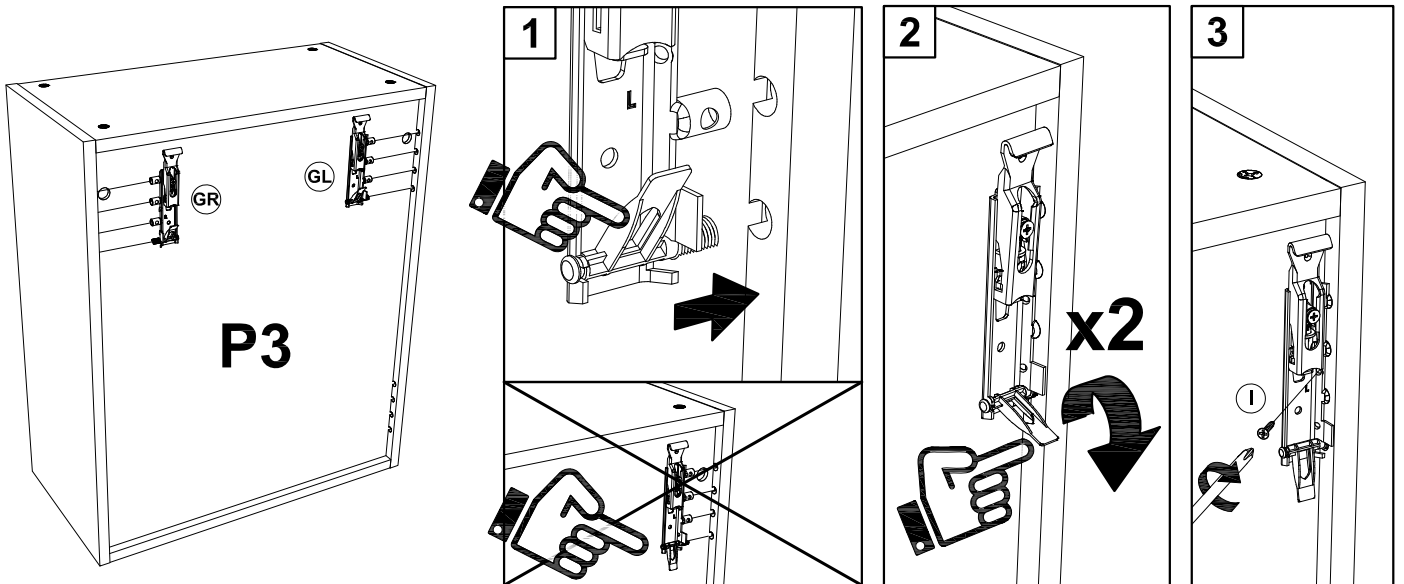
4



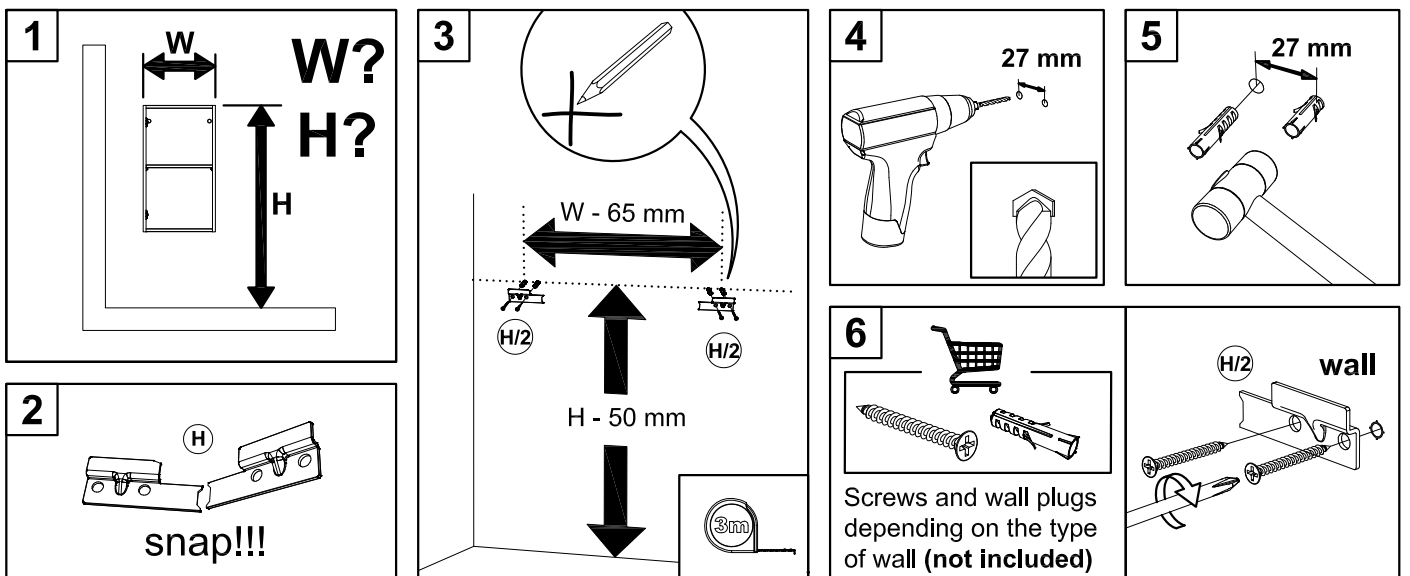
5



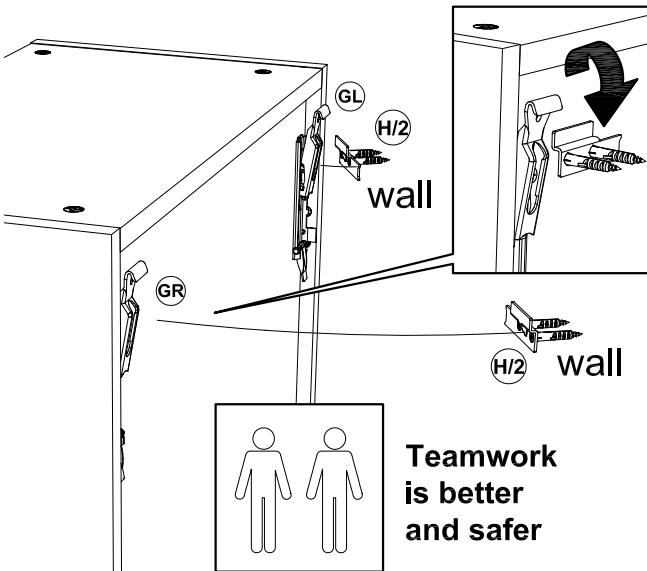
6



7



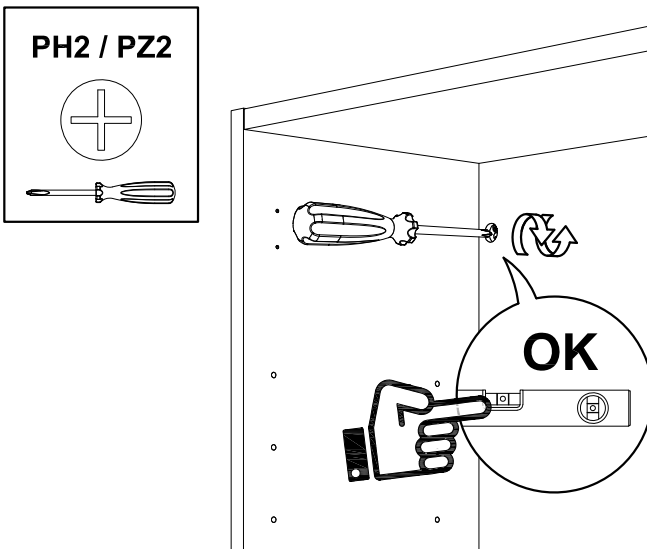
8



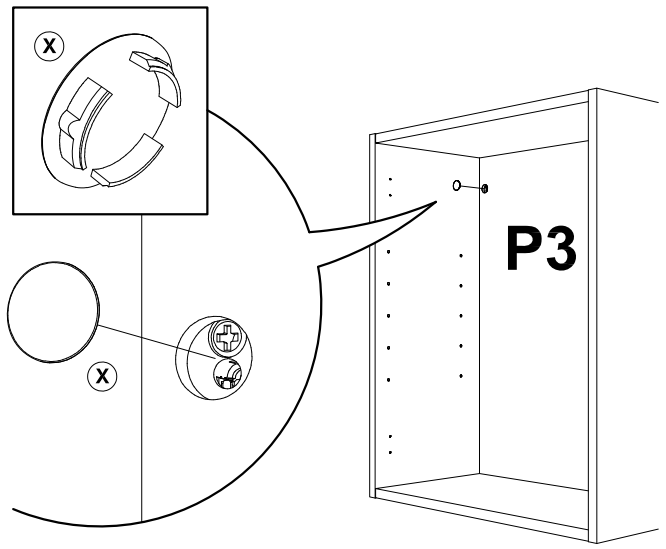
info

Wall separation	Height adjustment	Sideways adjustment

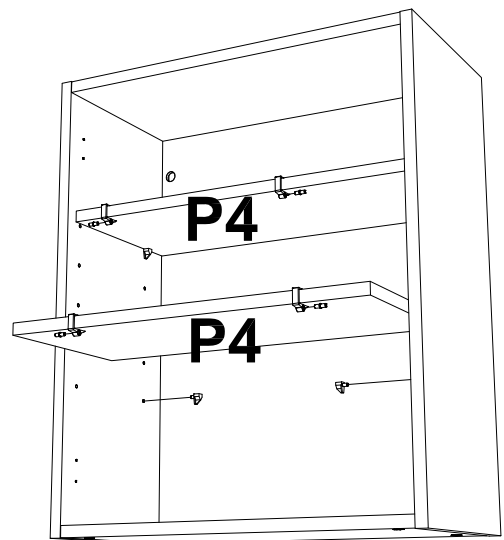
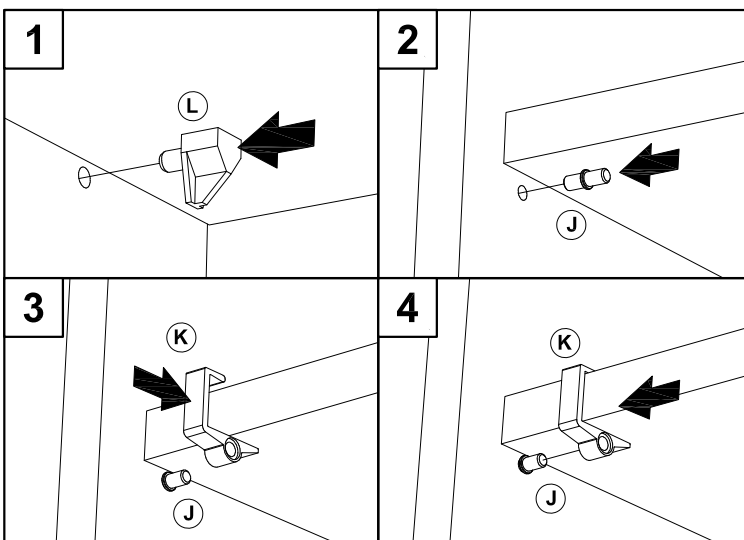
9



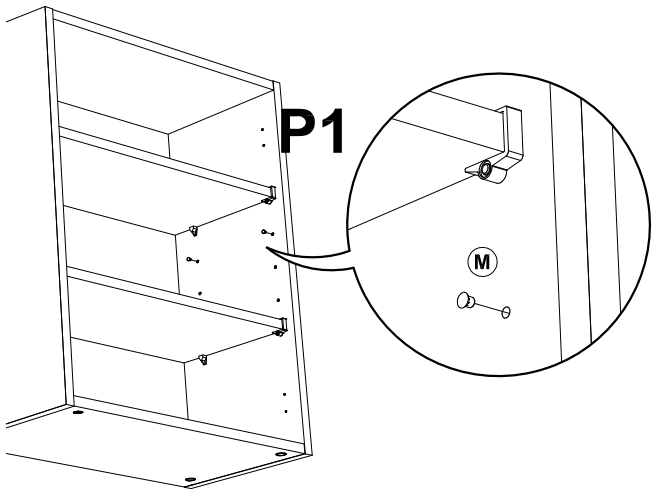
10



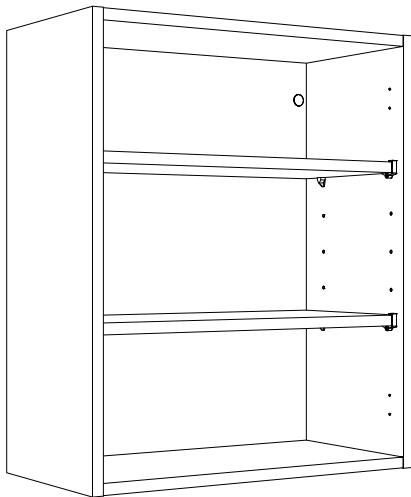
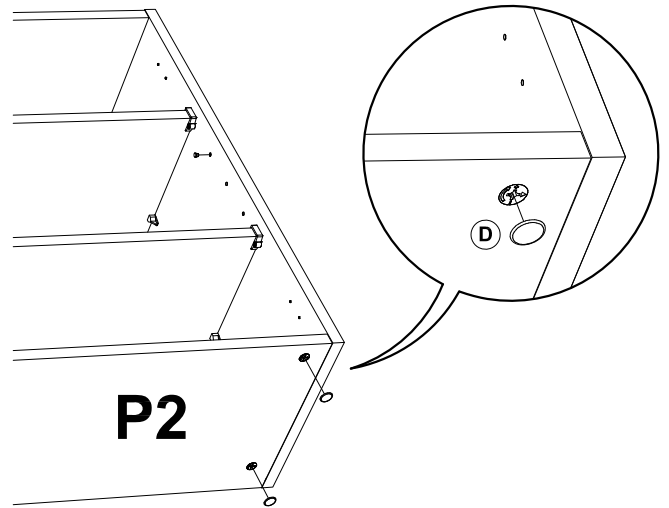
11



# 12



# 13



For any aftersales enquiries, please contact the seller with the batch number located on the outer packaging label

<b>X</b>	<b>00</b>	<b>000</b>	<b>0000</b>
A/B/C	00-99	1-366	24h
Batch No.			