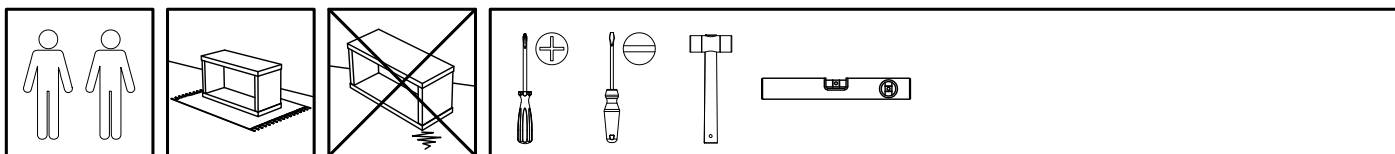


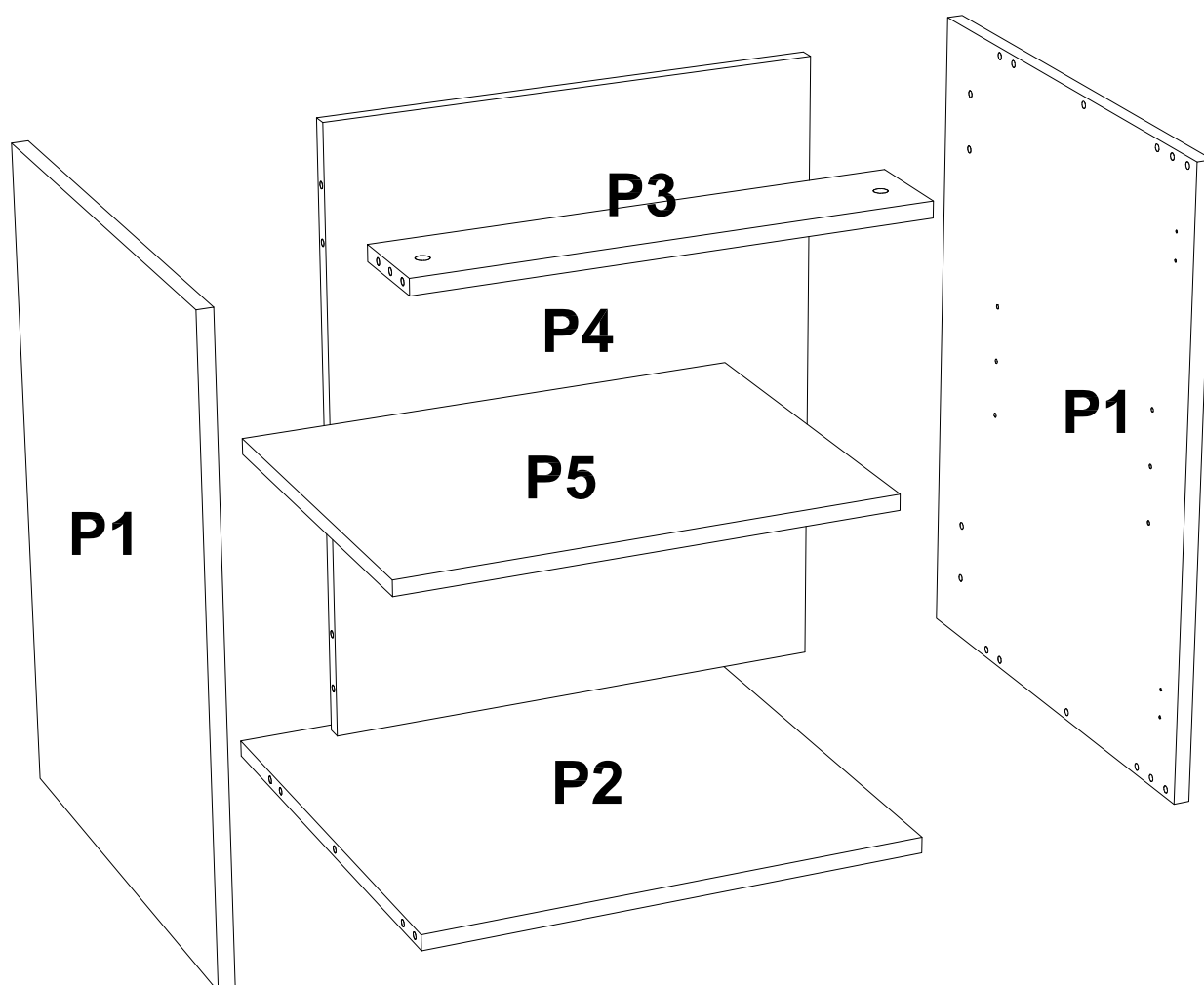
# Excel-Cab

## BASE CABINETS



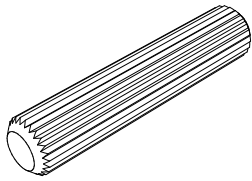
### ASSEMBLY INSTRUCTIONS

Please read these instructions fully before starting assembly

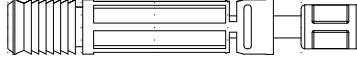
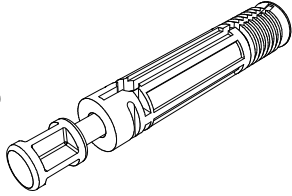


0 1 2 3 4 5 [cm]

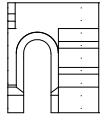
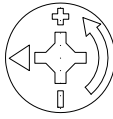
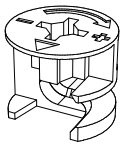
**A** x14



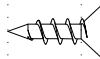
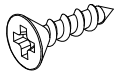
**B** x10



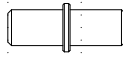
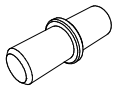
**C** x10



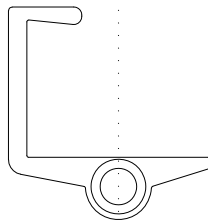
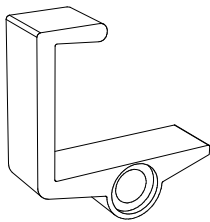
**F** x12



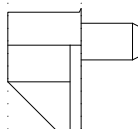
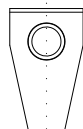
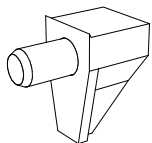
**J** x2



**K** x2



**L** x2



0 1 2 3 4 5 [cm]

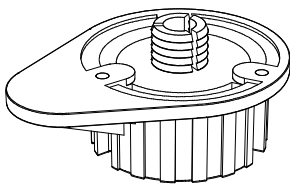
**M** x12



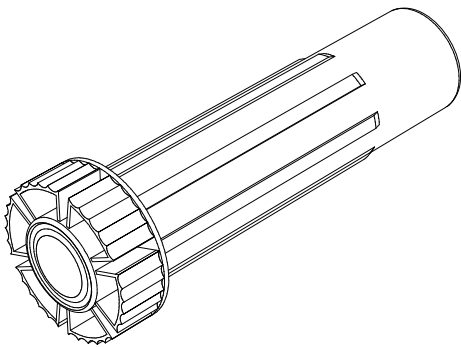
**N** x6



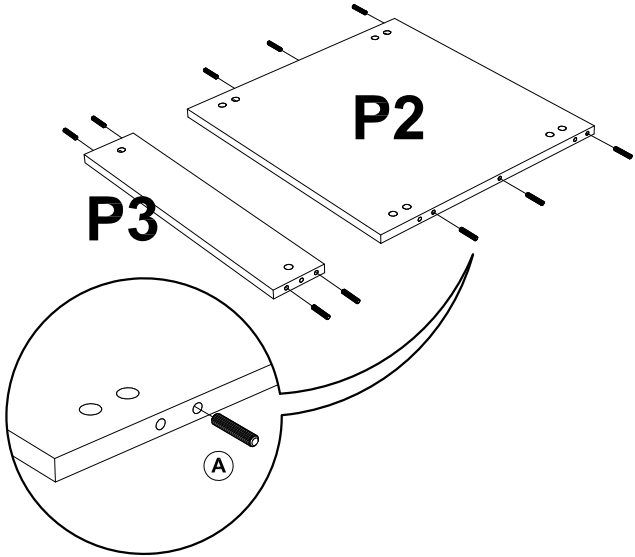
**V** x4



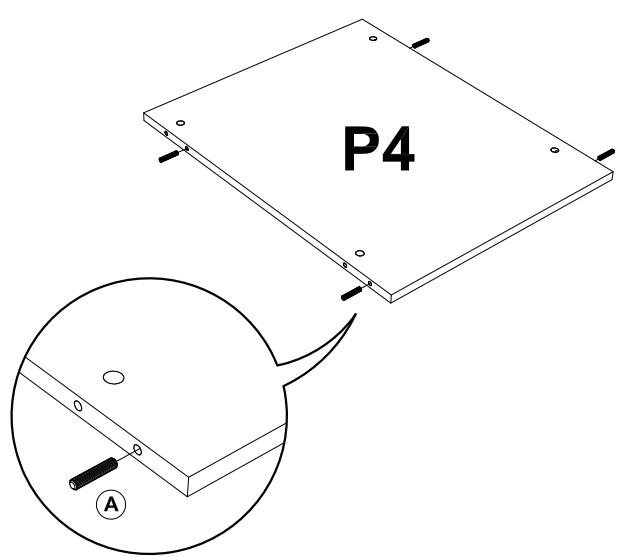
**W** x4



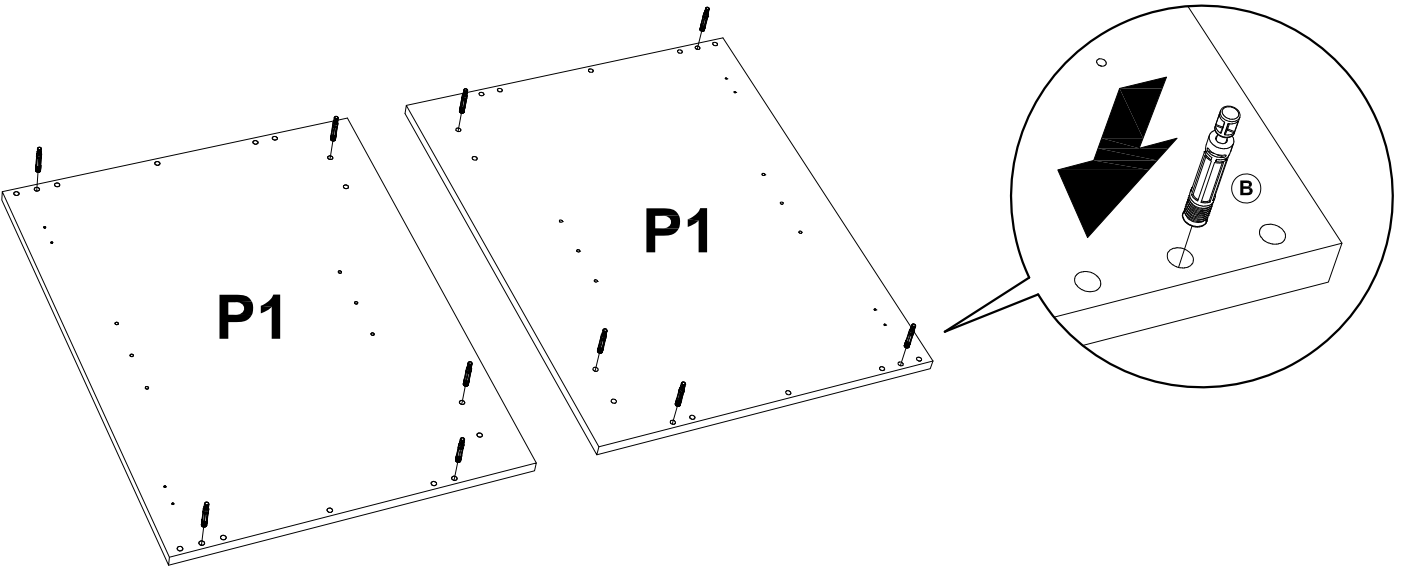
1



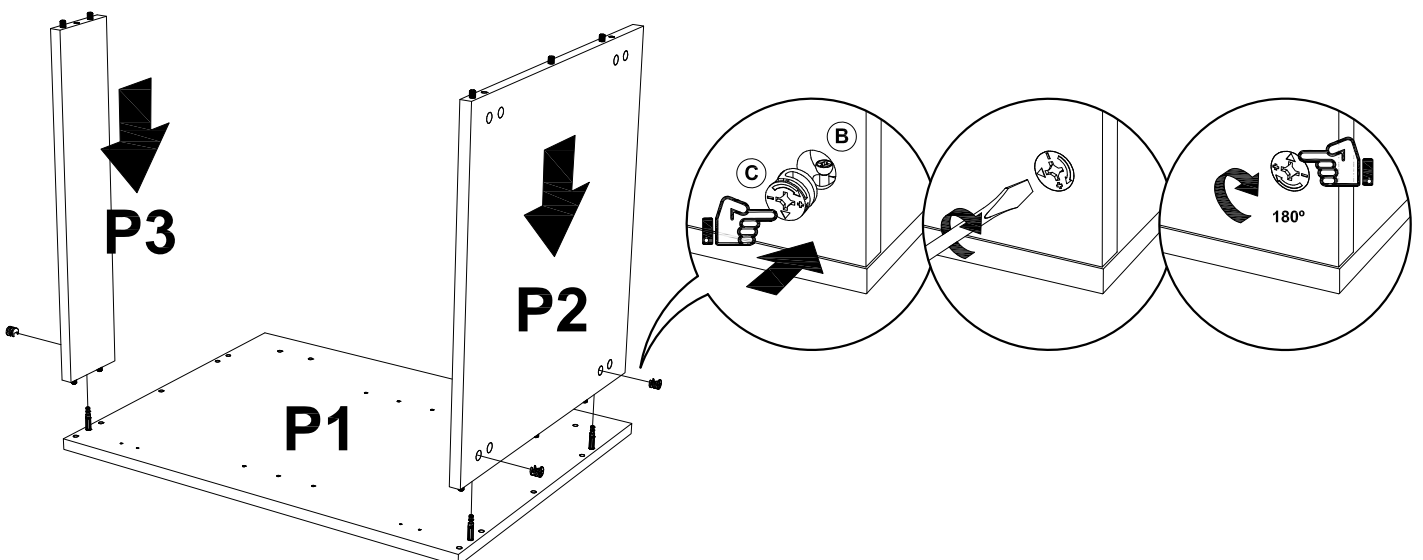
2



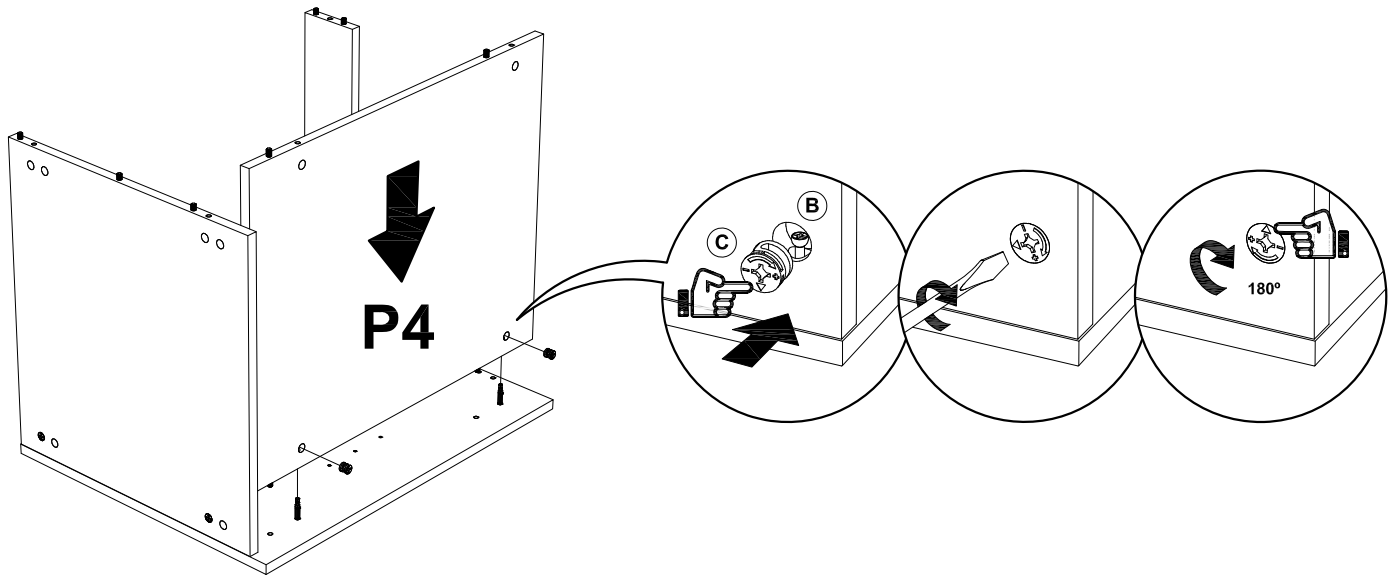
3



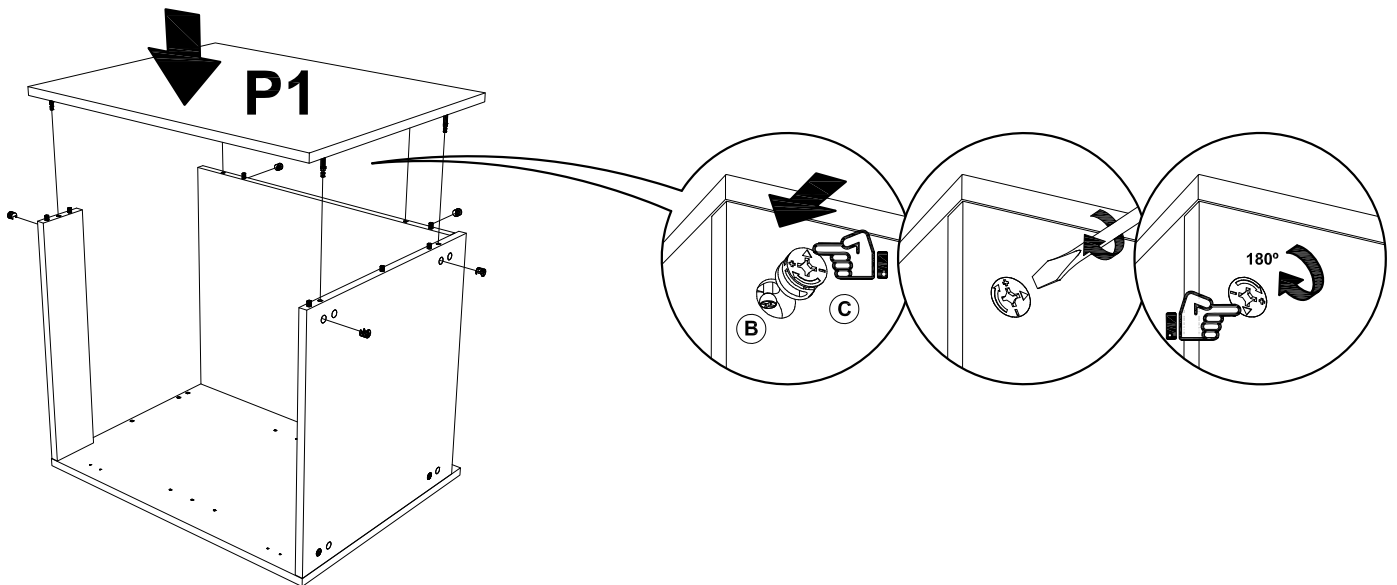
4



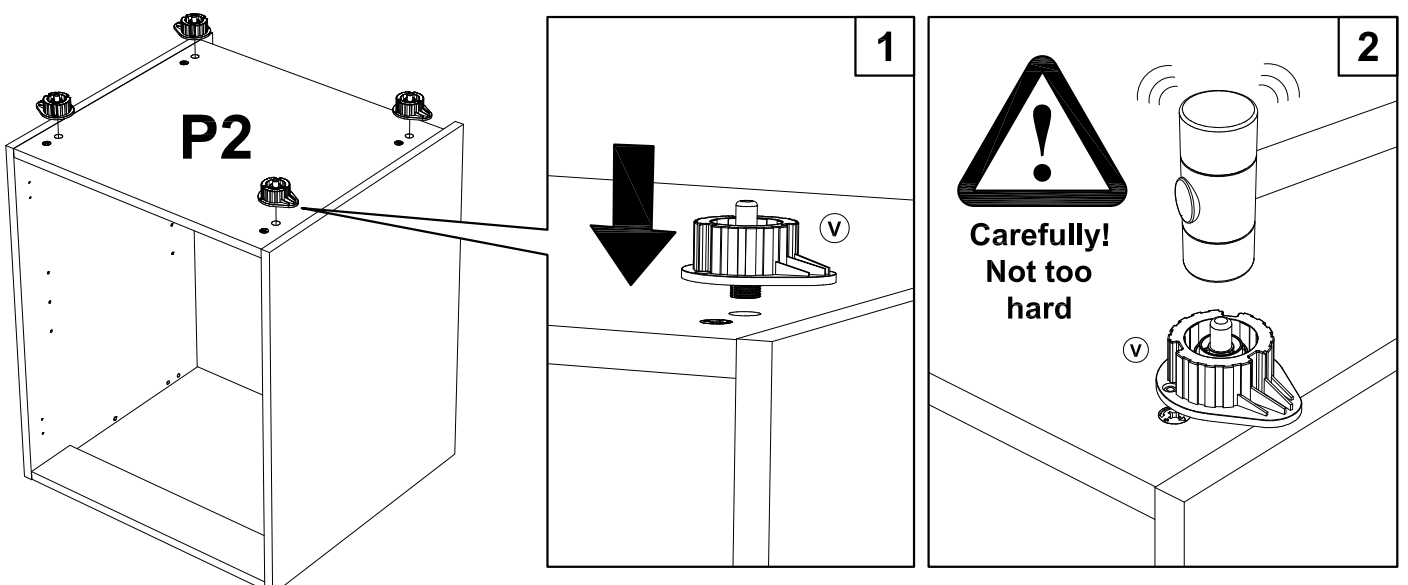
5



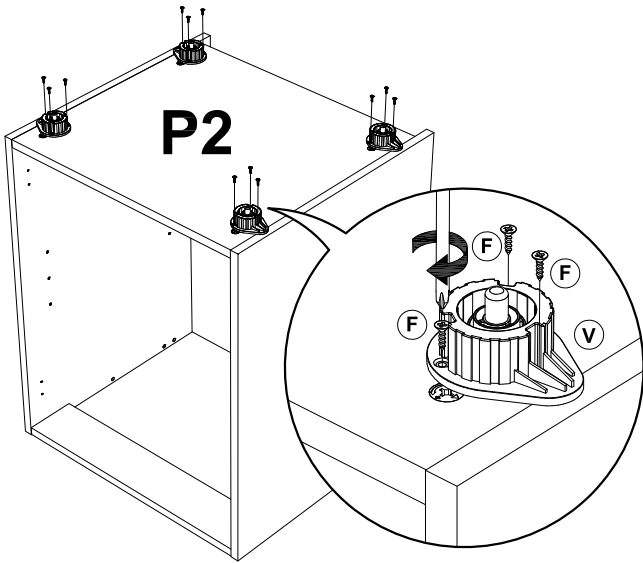
6



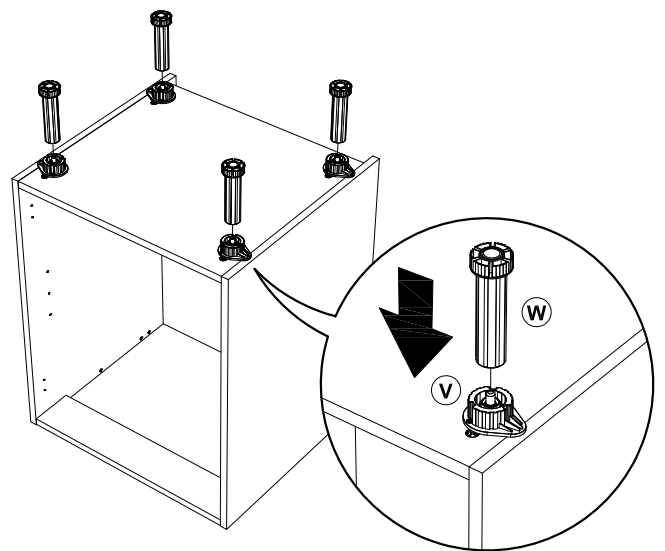
7



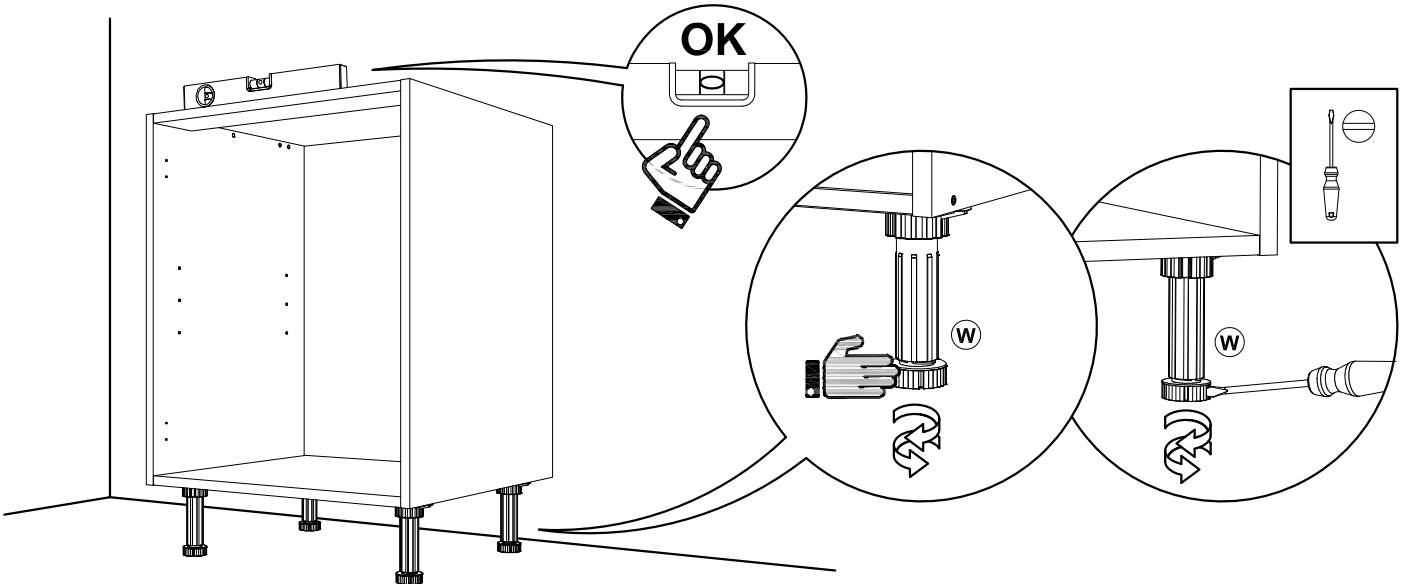
8



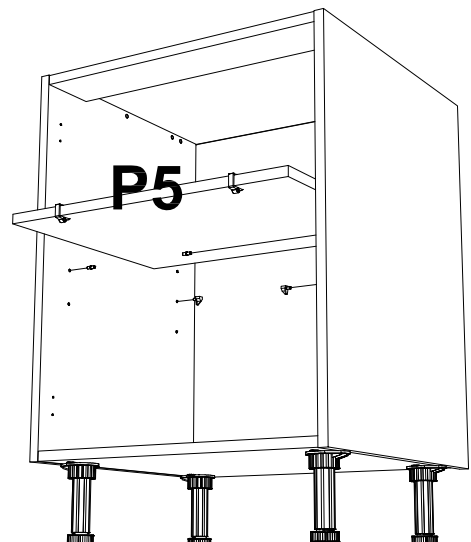
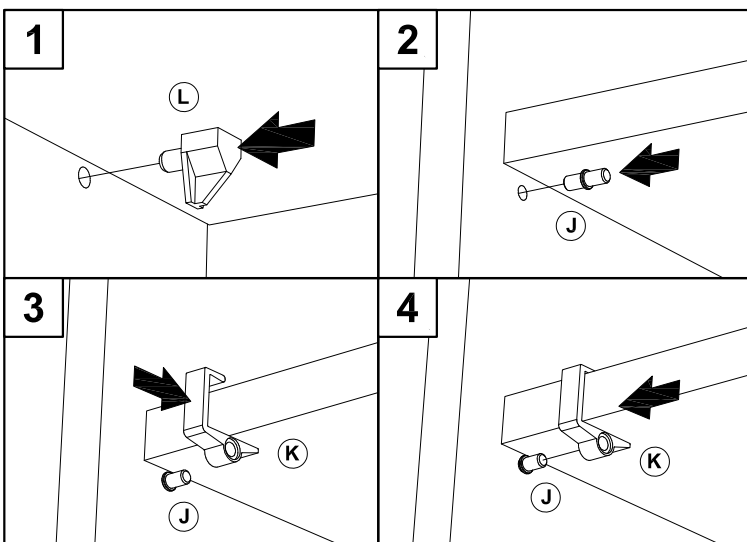
9

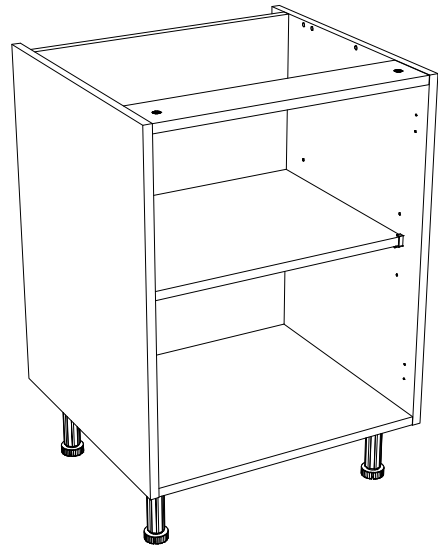
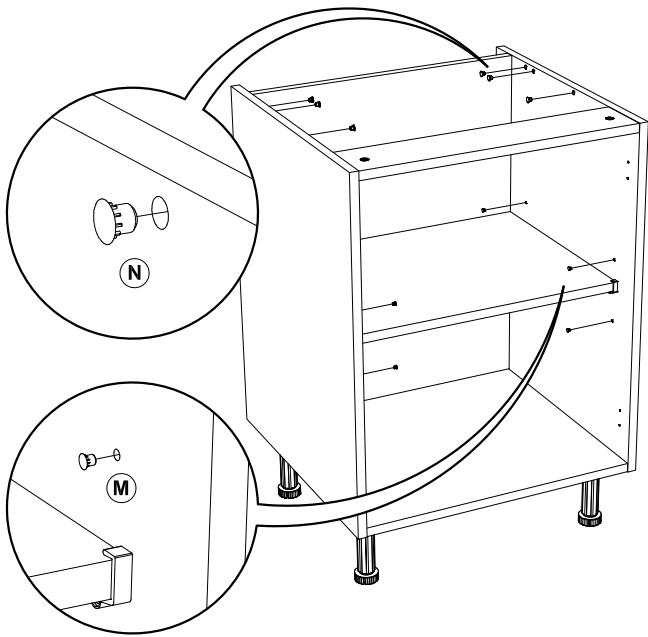


10



11





For any aftersales enquiries, please contact the seller with the batch number located on the outer packaging label

|           |           |            |             |
|-----------|-----------|------------|-------------|
| <b>X</b>  | <b>00</b> | <b>000</b> | <b>0000</b> |
| A/B/C     | 00-99     | 1-366      | 24h         |
| Batch No. |           |            |             |